



FEATURES:

- 4000VAC I/O isolation
- Medical Switching power modules for PCB mounting
- Operating temperature: -40 to +85°C
- Universal Input: 90-264VAC, 47-440Hz, or 130-370VDC
- Energy star compliant
- RoHS compliant
- Low Ripple and Noise
- CE, cULus approvals



Models
Single output

| Model | Input Voltage (VAC/Hz) | Input Voltage (VDC) | Output Voltage (V) | Maximum Capacitive load (μF) | Output Current max (A) | Efficiency (%) | |
|---------------|------------------------|---------------------|--------------------|------------------------------|------------------------|----------------|---------|
| | | | | | | 115 VAC | 230 VAC |
| AME40-3.3SMAZ | 90-264/47-440 | 130-370 | 3.3 | 8200 | 8 | 77 | 75 |
| AME40-5SMAZ | 90-264/47-440 | 130-370 | 5 | 8200 | 8 | 80 | 80 |
| AME40-12SMAZ | 90-264/47-440 | 130-370 | 12 | 2200 | 3.33 | 84 | 85 |
| AME40-15SMAZ | 90-264/47-440 | 130-370 | 15 | 1500 | 2.66 | 84 | 84 |
| AME40-24SMAZ | 90-264/47-440 | 130-370 | 24 | 560 | 1.66 | 82 | 82 |

Models
Dual output

| Model | Input Voltage (VAC/Hz) | Input Voltage (VDC) | Output Voltage (V) | Maximum Capacitive load (μF) | Output Current max (A) | Efficiency (%) | |
|--------------|------------------------|---------------------|--------------------|------------------------------|------------------------|----------------|---------|
| | | | | | | 115 VAC | 230 VAC |
| AME40-5DMAZ | 90-264/47-440 | 130-370 | ±5 | 3300 | ±4 | 80 | 80 |
| AME40-12DMAZ | 90-264/47-440 | 130-370 | ±12 | 2200 | ±1.66 | 82 | 80 |
| AME40-15DMAZ | 90-264/47-440 | 130-370 | ±15 | 1000 | ±1.33 | 82 | 81 |
| AME40-24DMAZ | 90-260/47-440 | 130-370 | ±24 | 470 | ±0.835 | 79 | 77 |

NOTE: All specifications in this datasheet are measured at an ambient temperature of 25°C, humidity<75%, nominal input voltage and at rated output load unless otherwise specified.

Input Specifications

| Parameters | Conditions | Typical | Maximum | Units |
|---------------------|----------------------------|---------|---------|-------|
| Current | 115 VAC | | 1000 | mA |
| | 230 VAC | | 530 | mA |
| Inrush current <2ms | 115 VAC | | 30 | A |
| | 230 VAC | | 50 | A |
| Leakage current | | | 0.15 | mA |
| External fuse | Recommended slow blow type | 3.15 | | A |
| Input dissipation | 115 / 230 VAC | ≤0.5 | | W |
| Start-up time | | 150 | | ms |

Output Specifications

| Parameters | Conditions | Typical | Maximum | Units |
|------------------------------|---|---------|---------|-----------|
| Voltage accuracy | | ±2 | | % |
| Line regulation | (LL-HL) | ±2 | | % |
| Load regulation | 0-100% load single | ±3 | | % |
| | 0-100% load dual | ±3 | | |
| Cross regulation | 25% load - 1 st out, 100% load – 2 nd out | ±5 | | % |
| Transient response deviation | 25% load Step | ±2 | | % of Vout |
| Ripple & Noise* | 3.3 / 5V models | 75 | | mV p-p |
| | 12 / 15V models | 100 | | |
| | 24V models | 150 | | |
| Hold-up time (min) | 115VAC | 15 | | ms |
| Minimum Load Current | | 0 | | % of Max |

*Ripple & Noise measured at 20MHz bandwidth with 0.1μF M/C and 47μF E/C

Isolation Specifications

| Parameters | Conditions | Typical | Rated | Units |
|----------------------|------------|---------|-------|-------|
| Tested I/O voltage | 60 sec | | 4000 | VAC |
| Isolation Resistance | | >1000 | | MΩ |

General Specifications

| Parameters | Conditions | Typical | Maximum | Units |
|--------------------------|--------------------------|--|---------|--------|
| Switching frequency | | 47 | | KHz |
| Protection class | | Class II | | |
| Over current protection | Foldback | 110 | 140 | % |
| Over voltage protection | | Zener diode clamp | 110 | % |
| Short circuit protection | | Auto recovery | | |
| Operating temperature | With derating above 50°C | -40 - +85 | | °C |
| Maximum case temperature | | | 100 | °C |
| Storage temperature | | -40 to +95 | | °C |
| Temperature coefficient | | 0.02 | | % / °C |
| Cooling | | Free air convection | | |
| Humidity | Non condensing | | 95 | % RH |
| Case material | | Plastic (flammability to UL 94V-0) | | |
| Weight | | 300 | | g |
| Dimensions (L X W X H) | | 3.56 x 2.48 x 1.18 inches 90.5 x 63 x 30 mm | | |
| MTBF | | > 800,000 hrs (MIL-HDBK -217F, t _a =+25 °C)/Full Load > 200,000 hrs (MIL-HDBK -217F, t _a =at highest operating temperature)/Full Load | | |

Environment Approval

| Test | Parameters | Conditions |
|-----------|------------------------|--|
| Shock | Wave form | Half sine wave |
| | Acceleration amplitude | 5gn |
| | Bump duration | 30 ms |
| | Converter operation | Before and after test, body mounted (on chassis) |
| | Number of bumps | 18 (3 in each direction for every axis) |
| Vibration | Test mode | Sweep sine, 10-100Hz, speed 0.05Hz/s |
| | Displacement | 1 mm |
| | Acceleration | 3g, 3 loops 30min one cycle, 3h total, every axis tested |
| | Converter operation | Before and after test, body mounted (on chassis) |

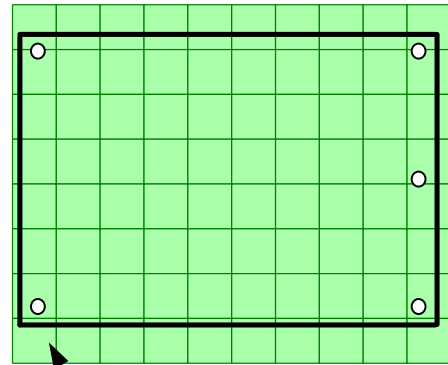
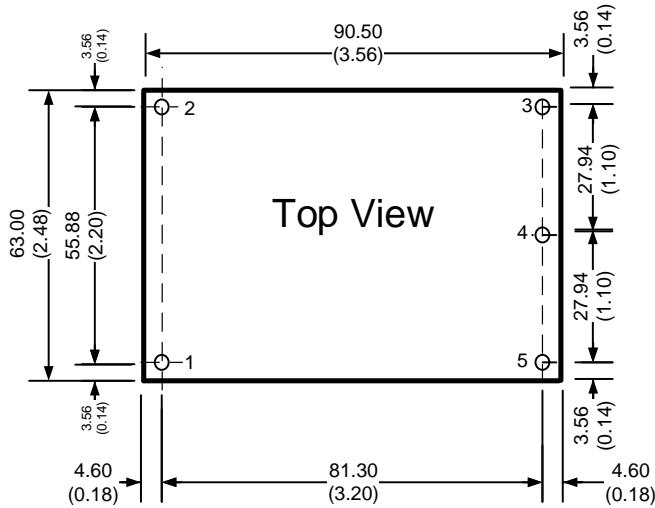
Safety Specifications

| Parameters | | |
|--|--|--|
| Agency approvals | cULus, CE, CB | |
| Standards | Medical Electrical Equipment | IEC\EN\UL 60601-1, 2 x MOOP, CSA-C22.2 No. 601.1-M90 |
| | Information technology Equipment | EN 60950-1:2006+A11:2009 |
| | Harmonic Current Emissions | IEC/EN 61000-3-2, Class A |
| | EMI - Conducted and radiated emission | EN55011, class B |
| | Voltage fluctuations and flicker | IEC/EN 61000-3-3, (EN60555-3) |
| | Electrostatic Discharge Immunity | IEC 61000-4-2 Level 3 |
| | RF, Electromagnetic Field Immunity | IEC 61000-4-3 Level 2 |
| | Electrical Fast Transient/Burst Immunity | IEC 61000-4-4 Level 3 |
| | Surge Immunity | IEC 61000-4-5 Level 2 |
| | RF, Conducted Disturbance Immunity | IEC 61000-4-6 Level 2 |
| | Power frequency Magnetic Field Immunity | IEC 61000-4-8 Level 2 |
| Voltage dips, Short Interruptions Immunity | IEC 61000-4-11 | |

Pin Out Specifications

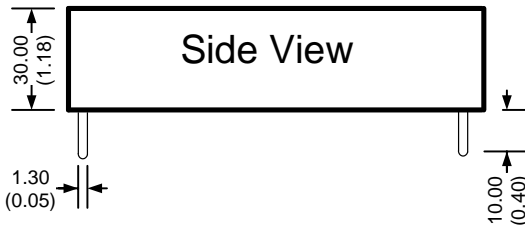
| Pin | Single | Dual |
|-----|--------------|--------------|
| 1 | AC Input (N) | AC Input (N) |
| 2 | AC Input (L) | AC Input (L) |
| 3 | +V Output | +V Output |
| 4 | -V Output | Common |
| 5 | No pin | -V Output |

Dimensions



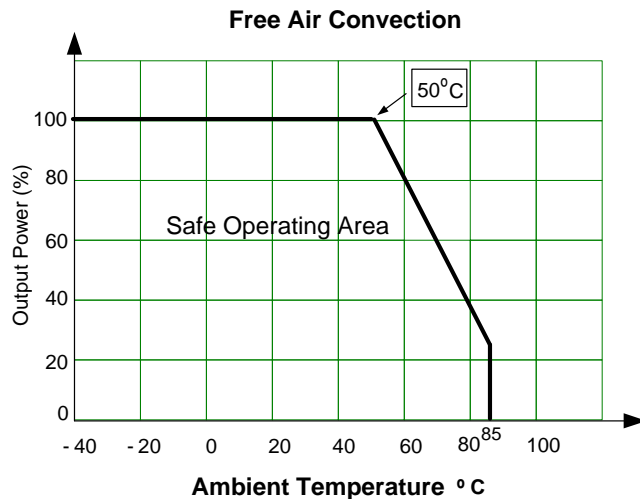
DIV: 10.00 (0.40)

5Ø 1.30 (Ø 0.05)

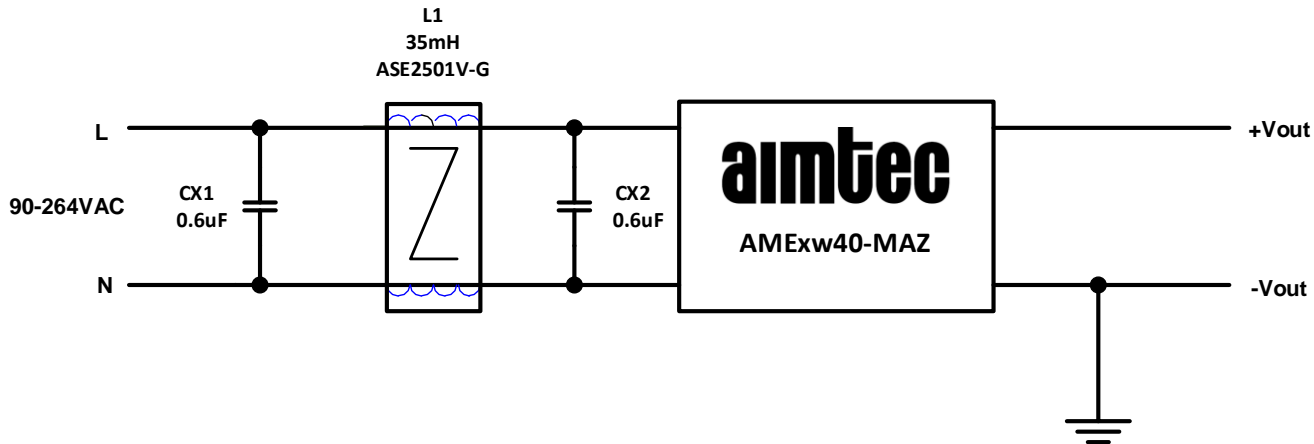


Dimensions mm (inch)
Case Tolerance ± 0.50 (± 0.02)
Pin Diameter 1.30 ± 0.05 (0.05 ± 0.002)
Pin Pitch Tolerance ± 0.35 (± 0.014)
Pin Length Tolerance ± 2.00 (± 0.079)

Derating



Earth/Ground Connection EMC EN55022 class B compliant Application circuit



The Application circuit is EMC compliant for any type of Earth/Ground connection: Input Ground connection, Output Ground connection as shown or both sides, which is not recommended if the product Isolation is used as a Safety feature.

NOTE: 1. Datasheets are updated as needed and as such, specifications are subject to change without notice. Once printed or downloaded, datasheets are no longer controlled by Aimtec; refer to www.aimtec.com for the most current product specifications. 2. Product labels shown, including safety agency certifications on labels, may vary based on the date manufactured. 3. Mechanical drawings and specifications are for reference only. 4. All specifications are measured at an ambient temperature of 25°C, humidity<75%, nominal input voltage and at rated output load unless otherwise specified. 5. Aimtec may not have conducted destructive testing or chemical analysis on all internal components and chemicals at the time of publishing this document. CAS numbers and other limited information are considered proprietary and may not be available for release. 6. This product is not designed for use in critical life support systems, equipment used in hazardous environments, nuclear control systems or other such applications which necessitate specific safety and regulatory standards other the ones listed in this datasheet. 7. Warranty is in accordance with Aimtec's standard Terms of Sale available at www.aimtec.com.