



■ Features :

- Universal AC input / Full range
- No load power consumption < 0.3W
- Energy efficiency Level V
- Comply with EU ErP
- 2 pole EURO plug
- Class II power (without earth pin)
- Protections: Short circuit / Overload / Over voltage / Over temperature
- Pass LPS
- Fully enclosed plastic case
- 2 years warranty

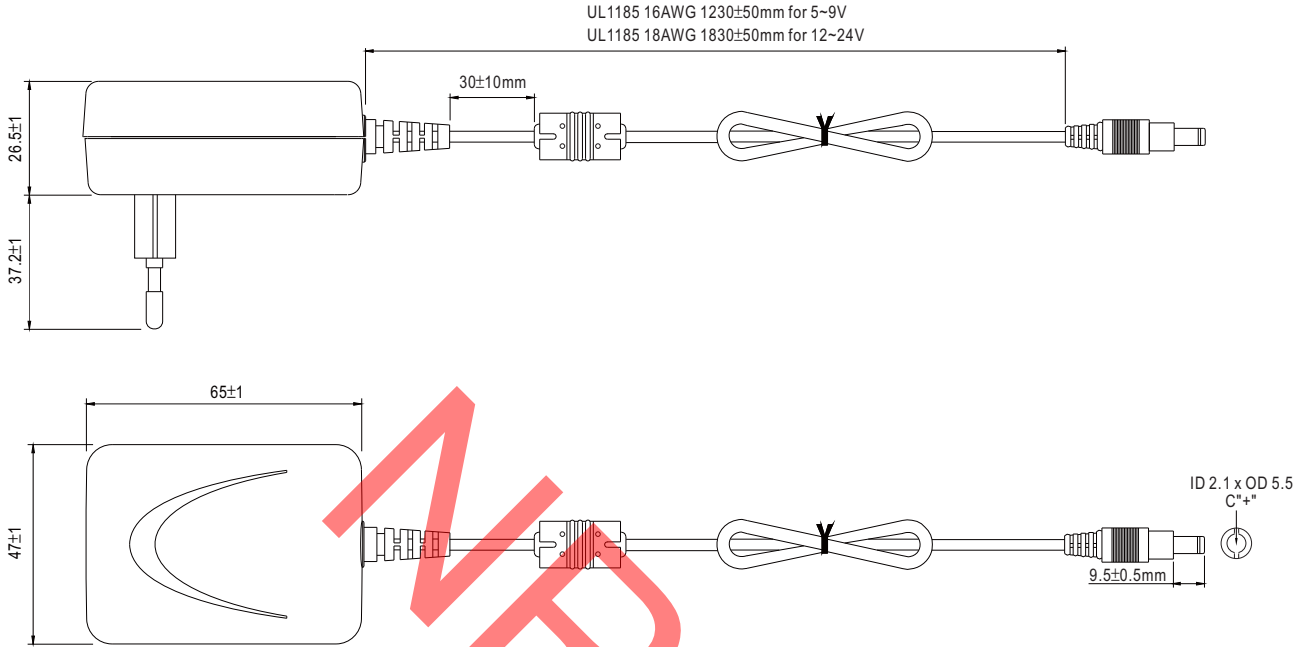


SPECIFICATION

| ORDER NO. | GS12E05-P1I | GS12E07-P1I | GS12E09-P1I | GS12E12-P1I | GS12E15-P1I | GS12E18-P1I | GS12E24-P1I | |
|---------------------------|---|---|----------------|--------------|-------------|-------------|-------------|--|
| OUTPUT | SAFETY MODEL NO. | GS12E05 | GS12E07 | GS12E09 | GS12E12 | GS12E15 | GS12E24 | |
| | DC VOLTAGE | 5V | 7.5V | 9V | 12V | 15V | 24V | |
| | RATED CURRENT | 2.0A | 1.6A | 1.33A | 1.0A | 0.8A | 0.67A | |
| | CURRENT RANGE | 0 ~ 2.0A | 0 ~ 1.6A | 0 ~ 1.33A | 0 ~ 1.0A | 0 ~ 0.8A | 0 ~ 0.67A | |
| | RATED POWER | 10W | 12W | 12W | 12W | 12W | 12.06W | |
| | RIPPLE & NOISE (max.) Note.2 | 75mVp-p | 90mVp-p | 90mVp-p | 120mVp-p | 150mVp-p | 180mVp-p | |
| | VOLTAGE TOLERANCE Note.3 | ±5.0% | ±4.0% | ±4.0% | ±3.0% | ±3.0% | ±3.0% | |
| | LINE REGULATION Note.4 | ±1.0% | ±1.0% | ±1.0% | ±1.0% | ±1.0% | ±1.0% | |
| | LOAD REGULATION Note.5 | ±5.0% | ±4.0% | ±4.0% | ±3.0% | ±3.0% | ±2.0% | |
| SETUP, RISE, HOLD UP TIME | 500ms, 20ms, 30ms/230VAC 500ms, 20ms, 10ms/115VAC at full load | | | | | | | |
| INPUT | VOLTAGE RANGE | 90 ~ 264VAC | 135 ~ 370VDC | | | | | |
| | FREQUENCY RANGE | 47 ~ 63Hz | | | | | | |
| | EFFICIENCY (Typ.) | 76% | 78.5% | 78.5% | 78.5% | 80% | 80% | |
| | AC CURRENT | 0.31A / 115VAC | 0.16A / 230VAC | | | | | |
| | INRUSH CURRENT (max.) | COLD START 25A / 115VAC | | 45A / 230VAC | | | | |
| | LEAKAGE CURRENT (max.) | 0.25mA / 240VAC | | | | | | |
| PROTECTION | OVERLOAD | >105% rated output power Protection type : Hiccup mode, recovers automatically after fault condition is removed | | | | | | |
| | OVER VOLTAGE | 115% ~ 135% Protection type : Clamp by zener diode | | | | | | |
| | OVER TEMPERATURE Note.6 | U1 Tj 140°C typically (U1) Detect on main control IC Protection type : Shut down o/p voltage, recovers automatically after temperature goes down | | | | | | |
| ENVIRONMENT | WORKING TEMP. | 0 ~ +50°C (Refer to "Derating Curve") | | | | | | |
| | WORKING HUMIDITY | 20% ~ 90% RH non-condensing | | | | | | |
| | STORAGE TEMP., HUMIDITY | -20 ~ +85°C, 10 ~ 95% RH | | | | | | |
| | TEMP. COEFFICIENT | ±0.03% / °C (0 ~ 40°C) | | | | | | |
| | VIBRATION | 10 ~ 500Hz, 2G 10min./1cycle, period for 60min. each along X, Y, Z axes | | | | | | |
| SAFETY & EMC | SAFETY STANDARDS | TUV EN60950 -1, EAC TP TC 004 approved | | | | | | |
| | WITHSTAND VOLTAGE | I/P-O/P:3KVAC | | | | | | |
| | ISOLATION RESISTANCE | I/P-O/P:100M Ohms / 500VDC / 25°C / 70% RH | | | | | | |
| | EMC EMISSION | Compliance to EN55032 class B, EN61204-3, EN61000-3-2,3, FCC part15 class B, EAC TP TC 020 | | | | | | |
| | EMC IMMUNITY | Compliance to EN61000-4-2,3,4,5,6,8,11, EN61204-3, light industry level, criteria A, EAC TP TC 020 | | | | | | |
| OTHERS | MTBF | 1414.6Khrs min. MIL-HDBK-217F (25°C) | | | | | | |
| | DIMENSION | 65*47*26.5mm (L*W*H) | | | | | | |
| | PACKING | 0.15Kg ; 100pcs / 16Kg / CARTON | | | | | | |
| CONNECTOR | PLUG | See page 2 : Other type available by customer requested | | | | | | |
| | CABLE | See page 2 : Other type available by customer requested | | | | | | |
| NOTE | <p>1.All parameters are specified at 230VAC input, rated load, 25°C 70% RH ambient.</p> <p>2.Ripple & noise are measured at 20MHz by using a 12" twisted pair terminated with a 0.1uf & 47uf capacitor.</p> <p>3.Tolerance: includes set up tolerance, line regulation, load regulation.</p> <p>4.Line regulation is measured from low line to high line at rated load.</p> <p>5.Load regulation is measured from 10% to 100% rated load.</p> <p>6.The over temperature protection (OTP) is the built-in function of the control IC (U1). The activating level described above is based on the specification provided by the IC manufacturer.</p> | | | | | | | |

■ Mechanical Specification

Unit:mm

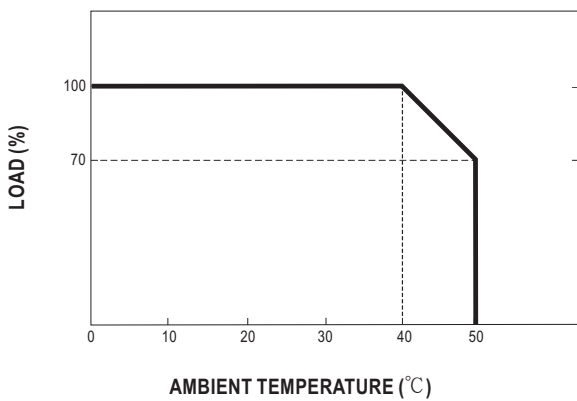


■ Plug Assignment

Standard plug: P1I

| P1I | |
|--------|--------|
| P/N | OUTPUT |
| CENTER | + |

■ Derating Curve



■ Static Characteristics(24V)

