



■ Features :

- Built-in active PFC function
- Constant current design
- Protections: Short circuit / Over temperature
- Cooling by free air convection
- Fully isolated plastic case
- IP42 design
- Class II power unit, no FG
- Suitable for LED related fixture or appliance (such as LED Decoration or Advertisement devices)
- 100% full load burn-in test
- Low cost
- High reliability
- 3 years warranty



IS 15885(Part 2/Sec13)

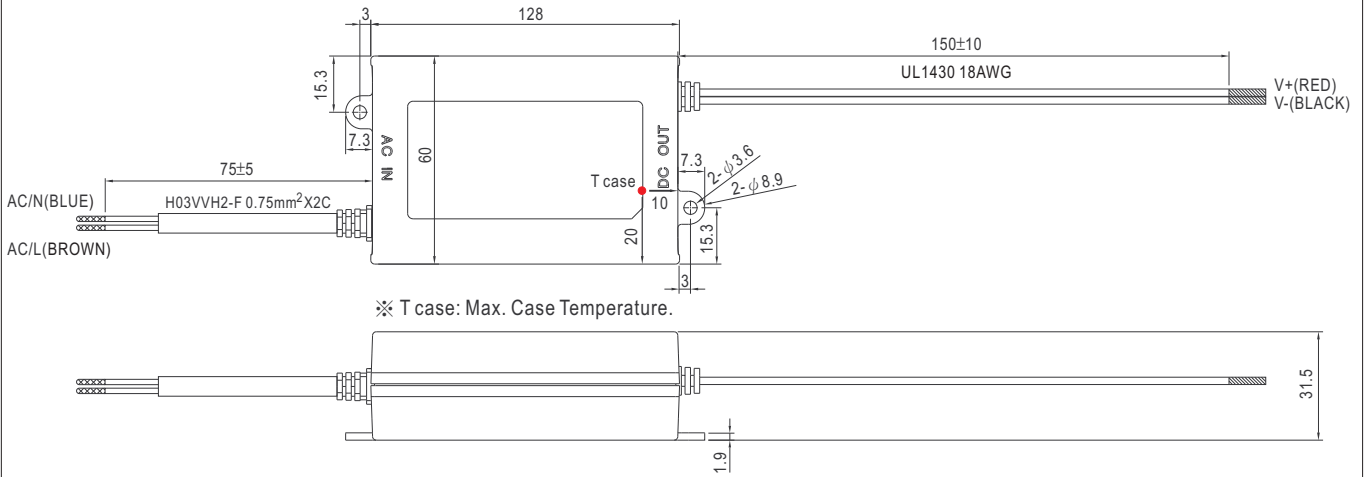


SPECIFICATION

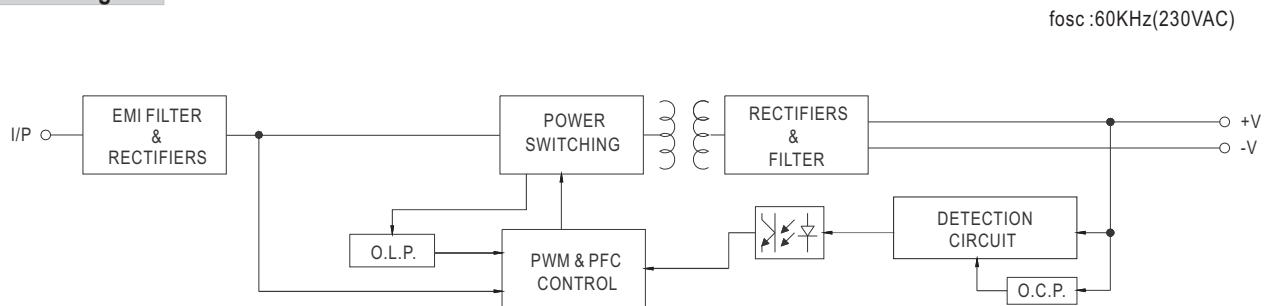
MODEL	PLD-60-500B	PLD-60-700B	PLD-60-1050B	PLD-60-1400B	PLD-60-1750B	PLD-60-2000B	PLD-60-2400B		
OUTPUT	RATED CURRENT		500mA	700mA	1050mA	1400mA	1750mA	2000mA	2400mA
	OPERATING VOLTAGE RANGE		70 ~ 108V	50 ~ 86V	34 ~ 57V	25 ~ 43V	20 ~ 34V	18 ~ 30V	15 ~ 25V
	CURRENT ACCURACY		±5.0%						
	RATED POWER		54W	60.2W	59.85W	60.2W	59.5W	60W	60W
	RIPPLE & NOISE (max.) Note.1		10.2Vp-p	5.6Vp-p	3.8Vp-p	3.4Vp-p	3.3Vp-p	2.4Vp-p	2.4Vp-p
	NO LOAD OUTPUT VOLTAGE (max.)		118V	100V	63V	50V	50V	35V	35V
SETUP TIME		500ms / 230VAC at full load							
INPUT	VOLTAGE RANGE		180~295VAC						
	FREQUENCY RANGE		47 ~ 63Hz						
	POWER FACTOR (Typ.)		PF>0.9/230VAC, PF>0.9/277VAC at full load (Please refer to "Power Factor Characteristic" curve)						
	TOTAL HARMONIC DISTORTION		THD< 20% when output loading≥60%(PLD-60-500B loading≥65%) at 230VAC input and output loading≥75% at 277VAC input						
	EFFICIENCY (Typ.)		88%	87%	87%	86%	86%	86%	86%
	AC CURRENT (Typ.)		0.6A/230VAC	0.5A/277VAC					
	INRUSH CURRENT(Typ.)		COLD START 25A (twidth=60μs measured at 50% Ipeak) at 230VAC						
	MAX. No. of PSUs on 16A CIRCUIT BREAKER		32 units (circuit breaker of type B) / 32 units (circuit breaker of type C) at 230VAC						
LEAKAGE CURRENT		<0.5mA / 240VAC							
PROTECTION	SHORT CIRCUIT		Hiccup mode, recovers automatically after fault condition is removed.						
	OVER TEMPERATURE		Shut down o/p voltage, auto-recovery						
ENVIRONMENT	WORKING TEMP.		-30 ~ +45°C (Refer to "Derating Curve")						
	WORKING HUMIDITY		20 ~ 95% RH non-condensing						
	STORAGE TEMP., HUMIDITY		-40 ~ +80°C, 10 ~ 95% RH						
	TEMP. COEFFICIENT		±0.03%/°C (0 ~ 50°C)						
	VIBRATION		10 ~ 500Hz, 2G 12min./1cycle, period for 72min. each along X, Y, Z axes						
SAFETY & EMC	SAFETY STANDARDS		ENEC BS EN/EN61347-1, BS EN/EN61347-2-13 independent, BS EN/EN62384, BIS IS15885(for 700B,1050B,1400B only), EAC TP TC 004, IP42 approved						
	WITHSTAND VOLTAGE		I/P-O/P:3.75KVAC						
	ISOLATION RESISTANCE		I/P-O/P:100M Ohms / 500VDC / 25°C / 70% RH						
	EMC EMISSION		Compliance to BS EN/EN55015, BS EN/EN61000-3-2 Class C ; BS EN/EN61000-3-3, EAC TP TC 020						
	EMC IMMUNITY		Compliance to BS EN/EN61000-4-2,3,4,5,6,8,11, BS EN/EN61547, light industry level(Surge 2KV), criteria B, EAC TP TC 020						
OTHERS	MTBF		458.852Khrs min. MIL-HDBK-217F (25°C)						
	DIMENSION		128*60*31.5mm (L*W*H)						
	PACKING		0.34Kg;30pcs/11.2Kg/0.58CUFT						
NOTE	<p>1. Ripple &amp; noise are measured at 20MHz of bandwidth by using a 12" twisted pair-wire terminated with a 0.1uf &amp; 47uf parallel capacitor.</p> <p>2. Direct connecting to LEDs is suggested, but is not suitable for using additional drivers.</p> <p>3. To fulfill requirements of the latest ErP regulation for lighting fixtures, this LED power supply can only be used behind a switch without permanently connected to the mains.</p> <p>4. The ambient temperature derating of 3.5°C/1000m with fanless models and of 5°C/1000m with fan models for operating altitude higher than 2000m(6500ft).</p> <p>5. For any application note and IP water proof function installation caution, please refer our user manual before using.  <a href="https://www.meanwell.com/Upload/PDF/LED_EN.pdf">https://www.meanwell.com/Upload/PDF/LED_EN.pdf</a></p> <p>※ Product Liability Disclaimer : For detailed information, please refer to <a href="https://www.meanwell.com/serviceDisclaimer.aspx">https://www.meanwell.com/serviceDisclaimer.aspx</a></p>								

■ Mechanical Specification

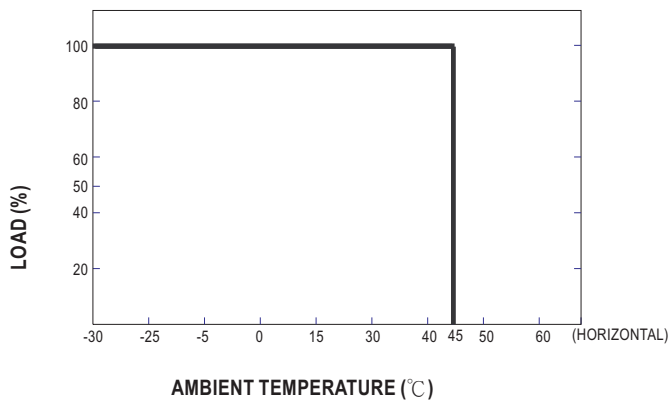
Case No. Unit:mm



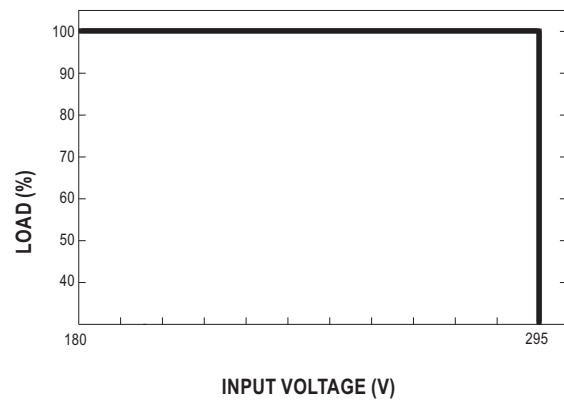
■ Block Diagram



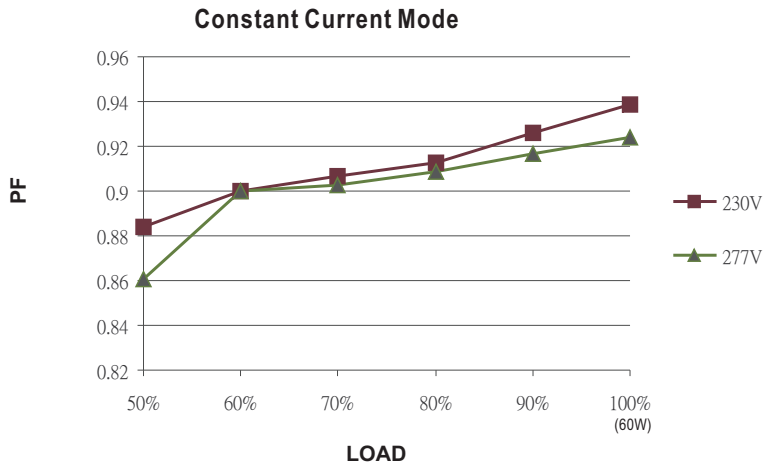
■ Derating Curve



■ Static Characteristics



**Power Factor Characteristic**



**EFFICIENCY vs LOAD (PLD-60-500B)**

PLD-60 series possess superior working efficiency that up to 88% can be reached in field applications.

