



P.O. Box 27
4300 AA Zierikzee
The Netherlands

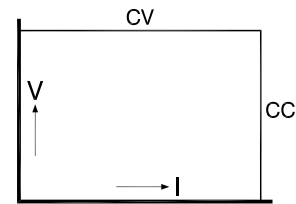
Tel. +31 111 413656
Fax. +31 111 416919
www.deltapowersupplies.com

DELTA ELEKTRONIKA B.V.



S280 - SERIES EURO - CASSETTE SWITCHED MODE DC POWER SUPPLIES

Models	Voltage range	Current range
S 6-40	0 - 6 V	0 - 40 A
S 15-18	0 - 15 V	0 - 18 A
S 28-10	0 - 28 V	0 - 10 A



Features

- Output programmable from zero till max
- Very high reliability, designed for a long life at full power
- EMC surpasses CE requirements: low emission & high immunity
- Protected against all overload and short circuit conditions
- Very low output ripple and spikes
- Screwdriver adjustment or analog programming
- Master/Slave parallel operation with current sharing

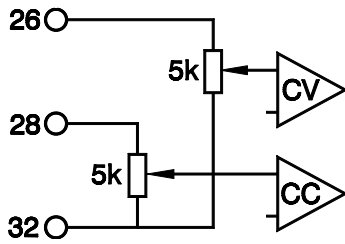
Functionalities

- Optional with external interfaces Ethernet, IEEE488, RS232 or ISO AMP.
- Euro rack mounting or wall mounting
- Redundant parallel operation with a optional RA-10 adapter
- Convection cooling
- Remote sensing

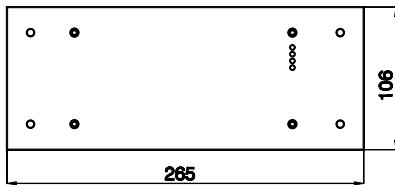
Output	S 6 - 40	S 15 - 18	S 28 - 10
voltage / current	0 - 6 V / 0 - 40 A	0 - 15 V / 0 - 18 A	0 - 28 V / 0 - 10 A
Input			
AC input, full load	100 - 132 V 48 - 62 Hz	100 - 132 V 48 - 62 Hz	100 - 132 V 48 - 62 Hz
DC input	195 - 265 V 48 - 62 Hz contact factory	195 - 265 V 48 - 62 Hz contact factory	195 - 265 V 48 - 62 Hz contact factory
current (220 V AC / 110 V AC) fuse 220 V / 110 V	2.2 / 4.0 Arms 4 AT / 6.3 AT	2.3 / 4.2 Arms 4 AT / 6.3 AT	2.3 / 4.2 Arms 4 AT / 6.3 AT
Efficiency			
AC input, 220 V, full load	80 %	86 %	88 %
Regulation			
Load 0 - 100% Line 198 - 265 V AC	CV CV 5 mV 5 mV	5 mV 5 mV	5 mV 5 mV
Load 0 - 100% Line 198 - 265 V AC	CC CC 30 mA 30 mA	10 mA 10 mA	10 mA 10 mA
Ripple + noise , rms / p-p (BW = 20 MHz)	CV CC 5 / 25 mV 15 / 50 mA	5 / 25 mV 5 / 15 mA	5 / 25 mV 5 / 15 mA
Programming speed 0 → V _{max}	10 ms	12 ms	15 ms
Output impedance 0-100 kHz	CV 0.1 Ohm	0.1 Ohm	0.1 Ohm
Temp. coeff. , per °C	CV CC	5.10 ⁻⁵ 1.10 ⁻⁴	
Stability during 8 hrs after 1 hr warmup	CV CC	5.10 ⁻⁴ 1.10 ⁻³	

Analog Programming	CV	CC
Programming inputs input range accuracy input impedance	0 - 5 V ± 0.2% - 5 mV / + 12 mV 5 kOhm	0 - 5 V ± 0.5% - 4 mV / + 20 mV 5 kOhm
Monitoring output output range accuracy output impedance	not available	0 - 5 V ± 0.5% - 6 mV / + 0 mV 20 Ohm

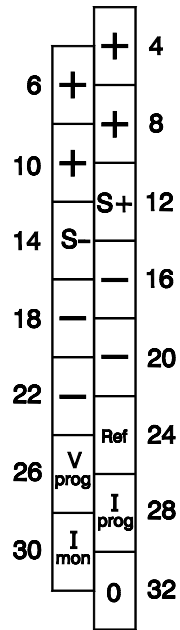
<ul style="list-style-type: none"> Recovery time 50 - 100% load step : S6-40, S28-10 100 µs S15-18 200 µs Insulation Input/Output : 3750 Vrms (1 min.) 8 mm creepage/clearance Input/case : 2500 Vrms (1 min.) Output/case : 500 V DC Safety : EN 60950 EN 61010 EMC Power Supply Standard : EN 61204-3 Generic Emission : EN 61000-6-3 (EN 55022B) Generic Immunity : EN 61000-6-2 Operating ambient temperature : -20 to +50 °C Thermal protection : Output shuts down in case of insufficient cooling Series operation : Max. 500 V total voltage Remote sensing : Max. 2 V per lead OVP adjust range : 5 - 35 V Mounting : Vertical airflow through the unit should not be obstructed 	<ul style="list-style-type: none"> Cooling : Natural convection cooling, no blower, no noise. MTBF : 500 000 hrs Standby input power : 4 W Hold-up time 100 % load, 220 V AC : 20 ms 50 % load, 220 V AC : 40 ms Case : DIN 41494 / IP20 Connectors : H15 (DIN 41612) Dimensions and weight : Height 106 mm Width 194.5 mm Depth 166 mm Weight 2.8 kg
---	--



Internal circuit of programming inputs



FPW front panel for wall mounting



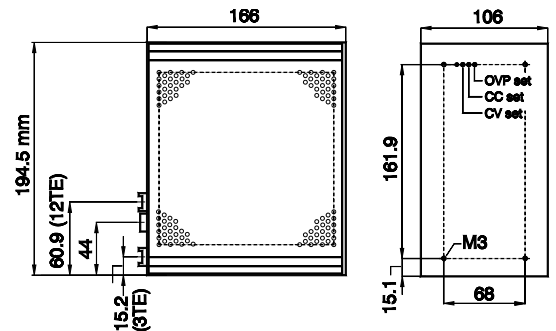
Output connector



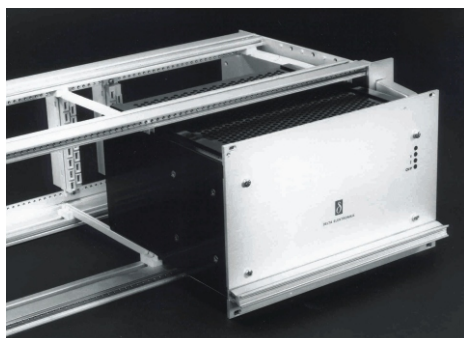
Redundant adapter RA 10 for S28 - 10



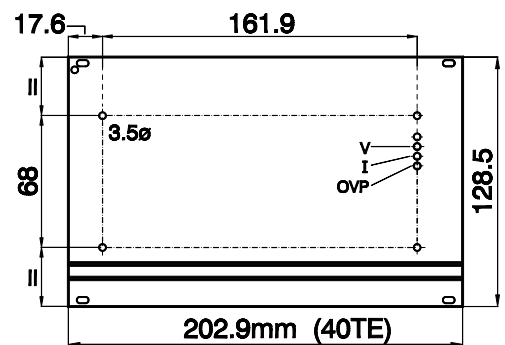
Wall mounting with front panel FPW



Dimensions



Eurorack mounting with front panel FP40



FP40, front panel for Eurocard-rack