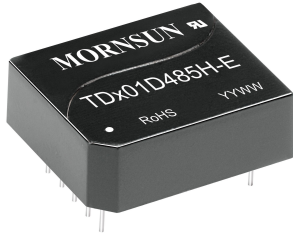


Single high speed RS485 isolation transceiver Module (enhanced)



RoHS

### FEATURES

- Integrated high efficient isolated DC-DC converter
- High baud rate of up to 500kbps
- Two-port isolation test voltage(3.0kVDC)
- Operating ambient temperature range: -40°C to +85°C
- The bus supports maximum 256 nodes
- Set isolation and ESD bus protection in one

The main function of the TD301D485H-E / TD501D485H-E series is to convert a logic level signal into isolated RS485 differential level signals. The special integrated IC technology of the RS485 transceiver achieves isolation between the power supply and the signal lines isolation, does RS485 communication and protects the bus all in one and the same module. The product's isolated power supply withstands a test voltage of up to 3000VDC. Also, they can easily be embedded in the user's end equipment, to achieve fully functional RS485 network connections.

### Selection Guide

Certification	Part No.	Power Input (VDC)	Baud Rate (kbps)	Static Current (mA)	Max. Operating Current (mA)	Number Of Nodes
UL/EN	TD301D485H-E	3.15-3.45	500	35	130	256
	TD501D485H-E	4.75-5.25	500	35	130	256

### Absolute Limits

Item	Operating Conditions	Min.	Typ.	Max.	Unit
Input Surge Voltage (1sec.max.)	3.3V series	-0.7	--	5	VDC
	5.0V series	-0.7	--	7	
Pin Welding Resistance Temperature	Soldering time 10s max.	--	--	300	°C

### 3.3V Input Specifications

Item	Symbol	Min.	Typ.	Max.	Unit	
Power Supply Input Voltage	V <sub>CC</sub>	3.15	3.3	3.45	VDC	
TXD Logic Level	High-level	V <sub>IH</sub>	0.7V <sub>CC</sub>	3.3		V <sub>CC</sub> +0.5
	Low-level	V <sub>IL</sub>	0	--		0.8
RXD Logic Level	High-level	V <sub>OH</sub>	V <sub>CC</sub> -0.4	V <sub>CC</sub> -0.2		--
	Low-level	V <sub>OL</sub>	0	0.2	0.4	
TXD Drive Current	I <sub>T</sub>	--	--	2	mA	
CON Drive Current	I <sub>CON</sub>	--	--	5		
RXD Output Current	I <sub>R</sub>	--	--	10		
Serial Interface	Compatible with + 3.3 VUART interface only					

### 5.0V Input Specifications

Item	Symbol	Min.	Typ.	Max.	Unit	
Power Supply Input Voltage	V <sub>CC</sub>	4.75	5	5.25	VDC	
TXD Logic Level	High-level	V <sub>IH</sub>	0.7V <sub>CC</sub>	5		V <sub>CC</sub> +0.5
	Low-level	V <sub>IL</sub>	0	--		0.8
RXD Logic Level	High-level	V <sub>OH</sub>	V <sub>CC</sub> -0.4	V <sub>CC</sub> -0.2		--
	Low-level	V <sub>OL</sub>	0	0.2	0.4	
TXD Drive Current	I <sub>T</sub>	--	--	2	mA	
CON Drive Current	I <sub>CON</sub>	--	--	5		
RXD Output Current	I <sub>R</sub>	--	--	10		
Serial Interface	Compatible with + 5 V UART interface only					

### Transmission Specifications

Item	Symbol	Min.	Typ.	Max.	Unit
Data Delay	TXD Transmitter Delay	$t_r$	--	110	ns
	RXD Receiver Delay	$t_r$	--	110	
Rise delay and drop delay of bus output		--	--	100	
Transceiver switching delay time	Switch from receiving data to sending data	--	5	18	us
	Switch from sending data to receiving data	--	30	100	

### Output Specifications

Item	Symbol	Min.	Typ.	Max.	Unit
Difference Level	$V_{diff(d)}, R_L=54\ \Omega$	1.5	2	--	VDC
Difference load resistance		54	60	--	$\Omega$
Difference Input Impedance	$-7V \leq V_{CM} \leq +12V$	96	--	--	k $\Omega$
Built-in pull-down resistor		--	120	--	
Bus Interface Protection		ESD protection			

### Truth Table Specifications

Transceiver Control	Input		Output		
	CON	TXD	A	B	RXD
Send status	0	1	1	0	1
	0	0	0	1	1
	CON	$V_A-V_B$	RXD		
Receive status <sup>①</sup>	1	$\geq -20mV$	1		
	1	$\leq -220mV$	0		
	1	$-220mV < V_A-V_B < -20mV$	Undefined state		

Note: ① Receiving threshold varies with Vcc will produce subtle error.

### General Specifications

Item	Operating Conditions	Value
Isolation Test	Electric Strength Test for 1 min., leakage current <1mA	3000VDC
Insulation Resistance	At 500VDC	1000M $\Omega$ (Input-output)
Operating Temperature		-40 $^{\circ}C$ to +85 $^{\circ}C$
Transportation and Storage Temperature		-50 $^{\circ}C$ to +105 $^{\circ}C$
Operating Humidity	Non-condensing	5% - 95%
Safety Standard		UL60950-1 & EN62368-1 (Report)
Safety Class		CLASS III

### Physical Specifications

Dimensions	DIP10
Weight	4.0g(Typ.)
Cooling Method	Free air convection

### Electromagnetic Compatibility (EMC)

Emissions	CE	CISPR32/EN55032	CLASS B (see Fig. 3)
Immunity	ESD	IEC/EN 61000-4-2	Contact $\pm 4kV$ / Air $\pm 8kV$ (without external components, A, B port) Perf. Criteria B
	EFT	IEC/EN 61000-4-4	$\pm 2kV$ (without external components, A, B port) Perf. Criteria B
	Surge	IEC/EN 61000-4-5	$\pm 2kV$ (line to ground)(without external components, A, B port) Perf. Criteria B
	CS	IEC/EN 61000-4-6	3Vr.m.s (without external components) Perf. Criteria A

### Application Precautions

1. Carefully read and follow the instructions before use; contact our technical support if you have any question;
2. Do not use the product in hazardous areas;
3. Use only DC power supply source for this product. 220V AC power supply is prohibited;
4. It is strictly forbidden to disassemble the product privately in order to avoid product failure or malfunction;
5. Hot-swap is not supported;
6. If the external input of TXD is insufficient, the pull-up resistor should be added according to the situation.

### After-sales service

1. Factory inspection and quality control are strictly enforced before shipping any product; please contact your local representative or our technical support if you experience any abnormal operation or possible failure of the module;
2. The products have a 3-year warranty period, from the date of shipment. The product will be repaired or exchanged free of charge within the warranty period for any quality problem that occurs under normal use.

### Applied circuit

Refer to the RS485 Isolated Industrial Bus Interface Module Application Manual.

### Design Reference

#### 1. Typical application circuit

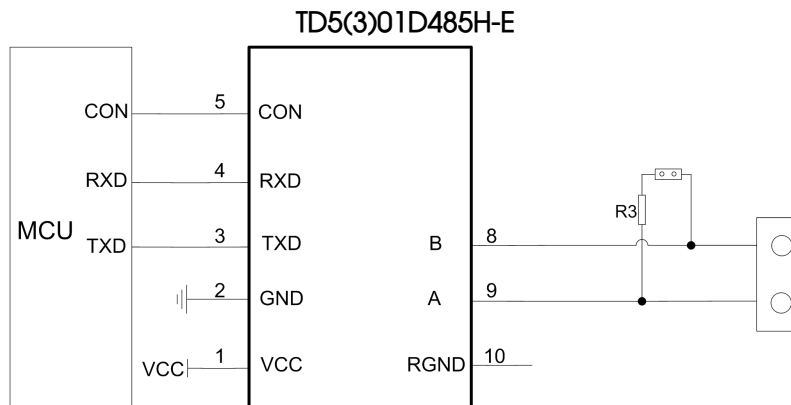


Fig.1

Figure 1 shows a typical connection circuit for the isolated transceiver module TD301D485H-E and TD501D485H-E. The TD501D485H-E module's power supply must be 5V and match the module's TXD, RXD and CON pin interface level of 5V (not supporting any 3.3V system levels). Accordingly, TD301D485H-E module's power supply must be 3.3V and match the module's TXD, RXD and CON pin interface level of 3.3V (not supporting any 5V system levels).

#### 2. Recommended port protection circuit

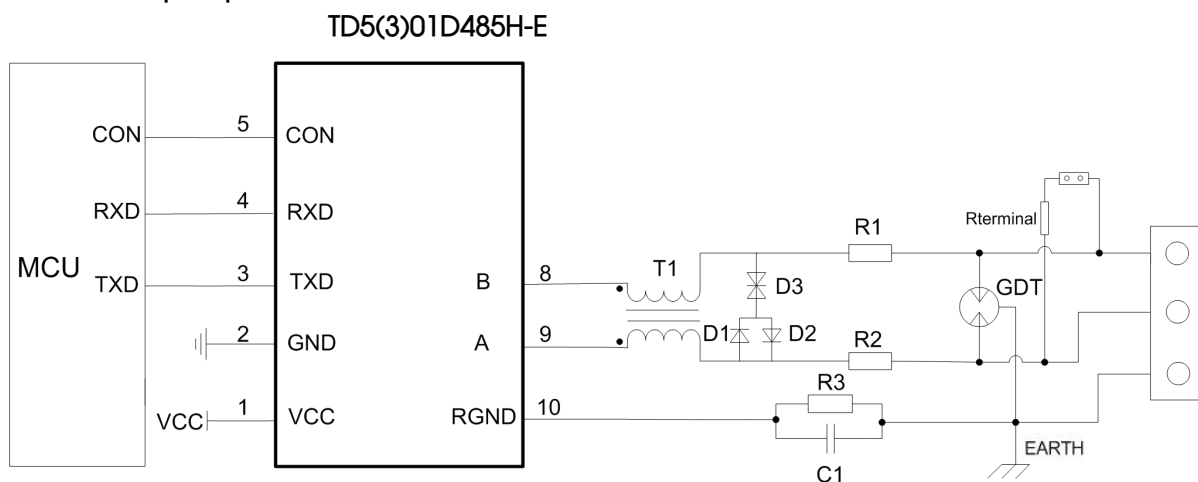


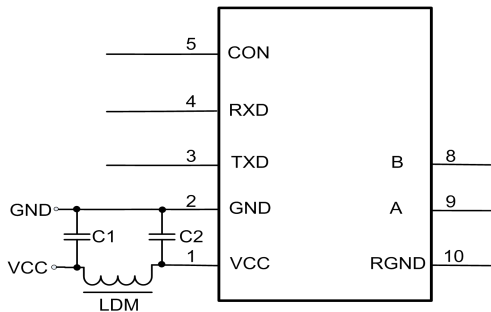
Fig.2

Note: Ground shield of twisted wire pair reliably.

Recommended components and values:

Component	Recommended part, value	Component	Recommended part, value
R3	1M $\Omega$	R1、R2	2.7 $\Omega$ /2W
C1	1nF, 2kV	D1、D2	1N4007
T1	ACM2520-301-2P	D3	SMBJ8.5CA
GDT	B3D090L	Rterminal	120 $\Omega$

As the modules internal A / B lines come with its own ESD protection, which generally satisfy most application environments without the need for additional ESD protection devices, as shown in the typical circuit in Figure 1. For harsh and noisy application environments such as motors, high voltage/current switches, lightning and similar however, we recommended that the user protects the module's A / B lines with additional measures and external components such as TVS tube, common mode inductors, Gas discharge tube, shielded twisted pair of wires with the same single network Earth point. Figure 2 shows our recommended circuit diagram for such type of applications with components and values given in the table above. This recommendation is for reference only and may have to be adapted accordingly with appropriate component values in order to match the actual situation and application.



Component	Recommended part, value
C1/C2	1uF/16V
LDM	CD43-12uH

Fig.3

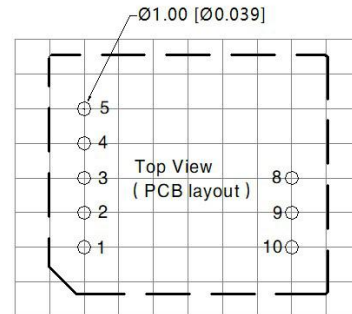
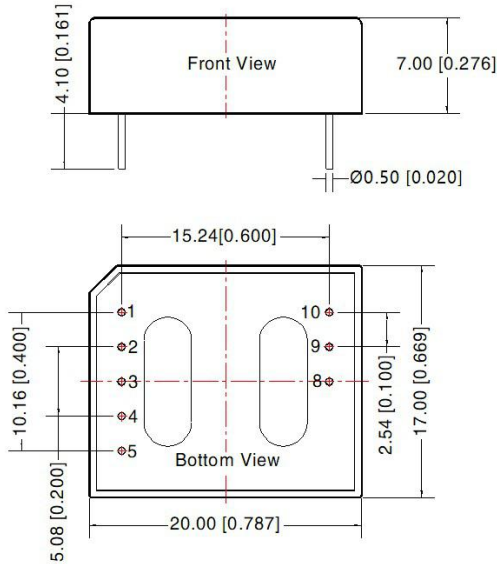
### 3. Precautions

- 1) TD501D485H-E is for 5V TTL level only (not compatible with 3.3V); TD301D485H-E is for 3.3V TTL level only (not compatible with 5V).
- 2) Pin6 and Pin7 are not drawn. Please leave pin 10 open if unused.
- 3) We recommend using a shielded twisted pair of wires for the Data transmission line and using same single point earth connection for each of the networks.
- 4) From the truth table characteristics, it can be derived that the isolated RS-485 transceiver module's CON pin is low to send data and high when receiving data. Note that the general 485 transceiver chip control level is exactly the opposite, therefore, if the customer desires to change the level to the ordinary 485 transceiver chip control level, we recommend using a transistor circuit between the MCU and the CON feed to reverse this signal.
- 5) Reference the truth table characteristics: When the A / B line differential voltage of the series of embedded isolated RS-485 transceiver module is  $\geq -20\text{mV}$ , the modules receiving level is high and when the A / B line differential voltage is  $\leq -220\text{mV}$  the modules receiving level is low; the modules receiving level is undefined when the A / B line differential voltage is greater than  $-220\text{mV}$  but less than  $-20\text{mV}$ , so the design is to ensure that the module will not be receiving this state. Depending on the actual situation, it is up to the user of the RS-485 network design or application to decide whether to add a 120 $\Omega$  termination resistor. Avoiding data communication errors: Regardless if the RS-485 network is static or dynamic, it is essential to avoid that the differential voltage of A / B line ever comes between  $-220\text{mV}$  and  $-20\text{mV}$ .

4. For additional information, please refer to our application note on [www.mornsun-power.com](http://www.mornsun-power.com)

Dimensions and Recommended Layout

THIRD ANGLE PROJECTION 



Note: Grid 2.54\*2.54mm

Note:  
Unit : mm[inch]  
Pin diameter tolerances:  $\pm 0.10[\pm 0.004]$   
General tolerances:  $\pm 0.50[\pm 0.020]$   
The layout of the device is for reference only, please refer to the actual product

Pin-Out		
Pin	Mark	Function
1	VCC	Input Power
2	GND	GND
3	TXD	TD_D485H Sending Pin
4	RXD	TD_D485H Receiving Pin
5	CON	Send&Receiving Control Pin
8	B	TD_D485H BPin
9	A	TD_D485H APin
10	RGND	Isolation Power Output RGND

Notes:

- For additional information on Product Packaging please refer to [www.mornsun-power.com](http://www.mornsun-power.com). The Packaging bag number: 58040012;
- Unless otherwise specified, parameters in this datasheet were measured under the conditions of  $T_a=25^\circ\text{C}$ , humidity<75%RH with nominal input voltage and rated output load;
- All index testing methods in this datasheet are based on company corporate standards;
- The above are the performance indicators of the product models listed in this datasheet. Some indicators of non-standard models will exceed the above requirements. For details, please contact our technical staff;
- We can provide product customization service;
- Products are related to laws and regulations: see "Features" and "EMC";
- Our products shall be classified according to ISO14001 and related environmental laws and regulations, and shall be handled by qualified units.

MORNSUN Guangzhou Science & Technology Co., Ltd.

Address: No. 5, Kehui St. 1, Kehui Development Center, Science Ave., Guangzhou Science City, Huangpu District, Guangzhou, P. R. China  
Tel: 86-20-38601850 Fax: 86-20-38601272 E-mail: [info@mornsun.cn](mailto:info@mornsun.cn) [www.mornsun-power.com](http://www.mornsun-power.com)