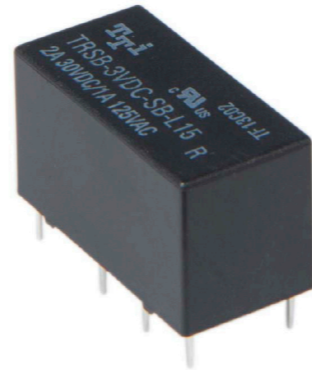




Telecom Relay TRSB

MAIN FEATURES

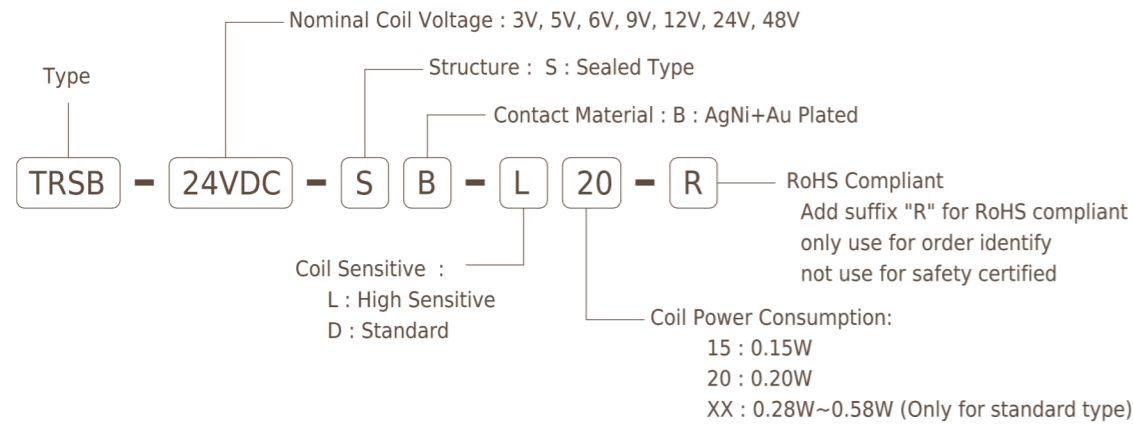
- 2 Form C (DPDT) bifurcated-cross-bar contacts.
- Gold Clad silver contact.
- Dip-2C type matching 16pin IC socket.
- Sealed type available.
- UL and CUL recognized.
- High sensitivity.
- Coil Power Consumption : 0.15 ~ 0.58W



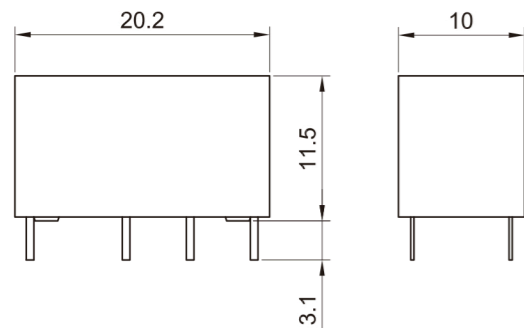
APPLICATIONS

- Telecommunication equipment, domestic appliances, office machines, audio equipment, etc.

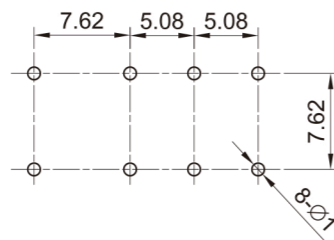
ORDERING INFORMATION



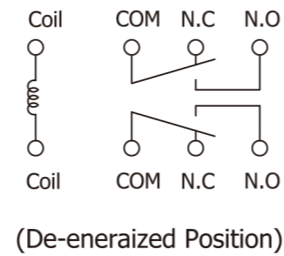
DIMENSION(unit:mm)



DRILLING(unit:mm)



WIRING DIAGRAM



COIL DATA CHART(at 20°C)

Coil Sensitivity	Coil Voltage Code	Nominal Voltage (VDC)	Nominal Current (mA)	Coil Resistance $\pm 10\%$ (Ω)	Power Consumption (W)	Pull-In Voltage (VDC)	Drop-Out Voltage (VDC)	Max-Allowable Voltage (VDC)				
TRSB -L Type (High sensitivity)	5	5	29.9	167	abt. 0.15W	80% Max.	5% Min.	150%				
	6	6	25.0	240								
	9	9	16.7	540								
	12	12	12.5	960								
	TRSB -D Type (Standard)	3	3	66.7	45	abt. 0.2W	80% Max.	5% Min.	150%			
		5	5	40	125							
		6	6	33.3	180							
		9	9	22.2	405							
12		12	16.7	720								
24		24	8.3	2880								
3		3	100	30	0.3W					80% Max.	5% Min.	150%
5		5	55.6	90	0.28W							
6	6	46.2	130	0.28W								
9	9	32.1	280	0.29W								
12	12	26.7	450	0.32W								
24	24	15	1600	0.36W								
	48	48	12	4000	0.58W							

CONTACT RATING

Item	TRSB
Contact Capacity	1A/125VAC
Resistive Load (cos ϕ =1)	2A/30VDC
Rated Carrying Current	2A
Max. Switching Voltage	125VAC, 30VDC
Max. Switching Current	2A
Max. Switching Power Force	125VA, 60W
Referenced Min Applicable Load	100mVDC/0.1mA
Contact Material	Silver Alloy

PERFORMANCE(at initial value)

Item	TRSB
Contact Resistance	100m Ω Max.
Operation Time	8msec Max.
Release Time	5msec Max.
Dielectric Strength	
Between coil & contact (1 minute)	1500VAC
Between contacts (1 minute)	750VAC
Surge Resistiveness	1500V
Insulation Resistance (at 500VDC)	1000 M Ω Min.
Max. ON/OFF Switching	
Mechanically	300 operation/min
Electrically	30 operation/min
Operating Ambient Temperature	-40°C to +85°C
Operating Humidity	98% RH, 40°C
Vibration	10 to 55Hz Double Amplitude 1.5mm
Shock	
Destructive	980m/s ² .
Functional	196m/s ² .
Life Expectancy	
Mechanically	1 \times 10 ⁸ ops. Min. (no load)
Electrically	1 \times 10 ⁵ ops. Min.
Weight	Abt. 5g.
UL & CUL	E156521

1.Tolerance ± 0.5 mm on all dimensions unless otherwise stated.
2. Tolerance ± 0.1 mm on PCB DRILLING dimension unless otherwise stated.