

Наличие и актуальные цены на

AM1D-0503SH30Z

<https://www.icmicro.ru/store/AM1D-0503SH30Z/>



FEATURES:

- RoHS compliant
- High efficiency up to 86%
- Low profile plastic package
- 7 pin SIP package
- Operating temperature -40°C to +85°C
- Short circuit protection
- Pin compatible with multiple manufacturers
- Input / Output Isolation 1000, 3000, 4000, 5200 & 6000 VDC

Models Single output



| Model | Input Voltage (V) | Output Voltage (V) | Output Current Max (mA) | Isolation (VDC) | Input Current Full Load No Load (mA) | | Max Capacitive Load(uF) | Efficiency % |
|----------------|-------------------|--------------------|-------------------------|-----------------|----------------------------------------|----|-------------------------|--------------|
| AM1D-0303SZ | 2.97-3.63 | 3.3 | 303 | 1000 | 399 | 28 | 220 | 76 |
| AM1D-0305SZ | 2.97-3.63 | 5 | 200 | 1000 | 389 | 22 | 220 | 78 |
| AM1D-0307SZ | 2.97-3.63 | 7.2 | 139 | 1000 | 379 | 22 | 220 | 78 |
| AM1D-0309SZ | 2.97-3.63 | 9 | 111 | 1000 | 379 | 35 | 220 | 80 |
| AM1D-0312SZ | 2.97-3.63 | 12 | 83 | 1000 | 389 | 30 | 220 | 77 |
| AM1D-0315SZ | 2.97-3.63 | 15 | 67 | 1000 | 389 | 30 | 220 | 78 |
| AM1D-0318SZ | 2.97-3.63 | 18 | 56 | 1000 | 415 | 30 | 220 | 73 |
| AM1D-0324SZ | 2.97-3.63 | 24 | 42 | 1000 | 415 | 30 | 220 | 73 |
| AM1D-0503SZ | 4.5-5.5 | 3.3 | 303 | 1000 | 256 | 15 | 220 | 78 |
| AM1D-0505SZ | 4.5-5.5 | 5 | 200 | 1000 | 247 | 17 | 220 | 81 |
| AM1D-0507SZ | 4.5-5.5 | 7.2 | 139 | 1000 | 247 | 16 | 220 | 81 |
| AM1D-0509SZ | 4.5-5.5 | 9 | 111 | 1000 | 244 | 15 | 220 | 82 |
| AM1D-0512SZ | 4.5-5.5 | 12 | 83 | 1000 | 253 | 17 | 220 | 79 |
| AM1D-0515SZ | 4.5-5.5 | 15 | 67 | 1000 | 233 | 17 | 220 | 86 |
| AM1D-0518SZ | 4.5-5.5 | 18 | 56 | 1000 | 241 | 16 | 220 | 83 |
| AM1D-0524SZ | 4.5-5.5 | 24 | 42 | 1000 | 244 | 20 | 220 | 82 |
| AM1D-1203SZ | 10.8-13.2 | 3.3 | 303 | 1000 | 111 | 12 | 220 | 75 |
| AM1D-1205SZ | 10.8-13.2 | 5 | 200 | 1000 | 105 | 14 | 220 | 79 |
| AM1D-1207SZ | 10.8-13.2 | 7.2 | 139 | 1000 | 111 | 14 | 220 | 75 |
| AM1D-1209SZ | 10.8-13.2 | 9 | 111 | 1000 | 104 | 9 | 220 | 80 |
| AM1D-1212SZ | 10.8-13.2 | 12 | 83 | 1000 | 105 | 13 | 220 | 79 |
| AM1D-1215SZ | 10.8-13.2 | 15 | 67 | 1000 | 102 | 10 | 220 | 82 |
| AM1D-1218SZ | 10.8-13.2 | 18 | 56 | 1000 | 103 | 11 | 220 | 81 |
| AM1D-1224SZ | 10.8-13.2 | 24 | 42 | 1000 | 110 | 20 | 220 | 76 |
| AM1D-1503SZ | 13.5-16.5 | 3.3 | 303 | 1000 | 83 | 10 | 220 | 80 |
| AM1D-1505SZ | 13.5-16.5 | 5 | 200 | 1000 | 82 | 7 | 220 | 81 |
| AM1D-1507SZ | 13.5-16.5 | 7.2 | 139 | 1000 | 85 | 10 | 220 | 78 |
| AM1D-1509SZ | 13.5-16.5 | 9 | 111 | 1000 | 85 | 10 | 220 | 78 |
| AM1D-1512SZ | 13.5-16.5 | 12 | 83 | 1000 | 83 | 8 | 220 | 80 |
| AM1D-1515SZ | 13.5-16.5 | 15 | 67 | 1000 | 84 | 12 | 220 | 79 |
| AM1D-1518SZ | 13.5-16.5 | 18 | 56 | 1000 | 83 | 10 | 220 | 80 |
| AM1D-1524SZ | 13.5-16.5 | 24 | 42 | 1000 | 80 | 5 | 220 | 83 |
| AM1D-2403SZ | 21.6-26.4 | 3.3 | 303 | 1000 | 56 | 8 | 220 | 74 |
| AM1D-2405SZ | 21.6-26.4 | 5 | 200 | 1000 | 54 | 6 | 220 | 77 |
| AM1D-2407SZ | 21.6-26.4 | 7.2 | 139 | 1000 | 57 | 6 | 220 | 73 |
| AM1D-2409SZ | 21.6-26.4 | 9 | 111 | 1000 | 55 | 6 | 220 | 76 |
| AM1D-2412SZ | 21.6-26.4 | 12 | 83 | 1000 | 53 | 6 | 220 | 78 |
| AM1D-2415SZ | 21.6-26.4 | 15 | 67 | 1000 | 52 | 5 | 220 | 80 |
| AM1D-2418SZ | 21.6-26.4 | 18 | 56 | 1000 | 51 | 5 | 220 | 82 |
| AM1D-2424SZ | 21.6-26.4 | 24 | 42 | 1000 | 52 | 8 | 220 | 80 |
| AM1D-0303SH30Z | 2.97-3.63 | 3.3 | 303 | 3000 | 399 | 28 | 220 | 76 |
| AM1D-0305SH30Z | 2.97-3.63 | 5 | 200 | 3000 | 389 | 22 | 220 | 78 |
| AM1D-0307SH30Z | 2.97-3.63 | 7.2 | 139 | 3000 | 379 | 22 | 220 | 78 |
| AM1D-0309SH30Z | 2.97-3.63 | 9 | 111 | 3000 | 379 | 35 | 220 | 80 |
| AM1D-0312SH30Z | 2.97-3.63 | 12 | 83 | 3000 | 389 | 30 | 220 | 77 |
| AM1D-0315SH30Z | 2.97-3.63 | 15 | 67 | 3000 | 389 | 30 | 220 | 78 |
| AM1D-0318SH30Z | 2.97-3.63 | 18 | 56 | 3000 | 415 | 30 | 220 | 73 |
| AM1D-0324SH30Z | 2.97-3.63 | 24 | 42 | 3000 | 415 | 30 | 220 | 73 |

| | | | | | | | | |
|----------------|-----------|-----|-----|------|-----|----|-----|----|
| AM1D-0503SH30Z | 4.5-5.5 | 3.3 | 303 | 3000 | 256 | 15 | 220 | 78 |
| AM1D-0505SH30Z | 4.5-5.5 | 5 | 200 | 3000 | 247 | 17 | 220 | 81 |
| AM1D-0507SH30Z | 4.5-5.5 | 7.2 | 139 | 3000 | 247 | 16 | 220 | 81 |
| AM1D-0509SH30Z | 4.5-5.5 | 9 | 111 | 3000 | 244 | 15 | 220 | 82 |
| AM1D-0512SH30Z | 4.5-5.5 | 12 | 83 | 3000 | 253 | 17 | 220 | 79 |
| AM1D-0515SH30Z | 4.5-5.5 | 15 | 67 | 3000 | 233 | 17 | 220 | 86 |
| AM1D-0518SH30Z | 4.5-5.5 | 18 | 56 | 3000 | 241 | 16 | 220 | 83 |
| AM1D-0524SH30Z | 4.5-5.5 | 24 | 42 | 3000 | 244 | 20 | 220 | 82 |
| AM1D-1203SH30Z | 10.8-13.2 | 3.3 | 303 | 3000 | 111 | 12 | 220 | 75 |
| AM1D-1205SH30Z | 10.8-13.2 | 5 | 200 | 3000 | 105 | 14 | 220 | 79 |
| AM1D-1207SH30Z | 10.8-13.2 | 7.2 | 139 | 3000 | 111 | 14 | 220 | 75 |
| AM1D-1209SH30Z | 10.8-13.2 | 9 | 111 | 3000 | 104 | 9 | 220 | 80 |
| AM1D-1212SH30Z | 10.8-13.2 | 12 | 83 | 3000 | 105 | 13 | 220 | 79 |
| AM1D-1215SH30Z | 10.8-13.2 | 15 | 67 | 3000 | 102 | 10 | 220 | 82 |
| AM1D-1218SH30Z | 10.8-13.2 | 18 | 56 | 3000 | 103 | 11 | 220 | 81 |
| AM1D-1224SH30Z | 10.8-13.2 | 24 | 42 | 3000 | 110 | 20 | 220 | 76 |
| AM1D-1503SH30Z | 13.5-16.5 | 3.3 | 303 | 3000 | 83 | 10 | 220 | 80 |
| AM1D-1505SH30Z | 13.5-16.5 | 5 | 200 | 3000 | 82 | 7 | 220 | 81 |
| AM1D-1507SH30Z | 13.5-16.5 | 7.2 | 139 | 3000 | 85 | 10 | 220 | 78 |
| AM1D-1509SH30Z | 13.5-16.5 | 9 | 111 | 3000 | 85 | 10 | 220 | 78 |
| AM1D-1512SH30Z | 13.5-16.5 | 12 | 83 | 3000 | 83 | 8 | 220 | 80 |
| AM1D-1515SH30Z | 13.5-16.5 | 15 | 67 | 3000 | 84 | 12 | 220 | 79 |
| AM1D-1518SH30Z | 13.5-16.5 | 18 | 56 | 3000 | 83 | 10 | 220 | 80 |
| AM1D-1524SH30Z | 13.5-16.5 | 24 | 42 | 3000 | 80 | 5 | 220 | 83 |
| AM1D-2403SH30Z | 21.6-26.4 | 3.3 | 303 | 3000 | 56 | 8 | 220 | 74 |
| AM1D-2405SH30Z | 21.6-26.4 | 5 | 200 | 3000 | 54 | 6 | 220 | 77 |
| AM1D-2407SH30Z | 21.6-26.4 | 7.2 | 139 | 3000 | 57 | 6 | 220 | 73 |
| AM1D-2409SH30Z | 21.6-26.4 | 9 | 111 | 3000 | 55 | 6 | 220 | 76 |
| AM1D-2412SH30Z | 21.6-26.4 | 12 | 83 | 3000 | 53 | 6 | 220 | 78 |
| AM1D-2415SH30Z | 21.6-26.4 | 15 | 67 | 3000 | 52 | 5 | 220 | 80 |
| AM1D-2418SH30Z | 21.6-26.4 | 18 | 56 | 3000 | 51 | 5 | 220 | 82 |
| AM1D-2424SH30Z | 21.6-26.4 | 24 | 42 | 3000 | 52 | 8 | 220 | 80 |
| AM1D-0303SH40Z | 2.97-3.63 | 3.3 | 303 | 4000 | 399 | 28 | 220 | 76 |
| AM1D-0305SH40Z | 2.97-3.63 | 5 | 200 | 4000 | 389 | 22 | 220 | 78 |
| AM1D-0307SH40Z | 2.97-3.63 | 7.2 | 139 | 4000 | 379 | 22 | 220 | 78 |
| AM1D-0309SH40Z | 2.97-3.63 | 9 | 111 | 4000 | 379 | 35 | 220 | 80 |
| AM1D-0312SH40Z | 2.97-3.63 | 12 | 83 | 4000 | 389 | 30 | 220 | 77 |
| AM1D-0315SH40Z | 2.97-3.63 | 15 | 67 | 4000 | 389 | 30 | 220 | 78 |
| AM1D-0318SH40Z | 2.97-3.63 | 18 | 56 | 4000 | 415 | 30 | 220 | 73 |
| AM1D-0324SH40Z | 2.97-3.63 | 24 | 42 | 4000 | 415 | 30 | 220 | 73 |
| AM1D-0503SH40Z | 4.5-5.5 | 3.3 | 303 | 4000 | 256 | 15 | 220 | 78 |
| AM1D-0505SH40Z | 4.5-5.5 | 5 | 200 | 4000 | 247 | 17 | 220 | 81 |
| AM1D-0507SH40Z | 4.5-5.5 | 7.2 | 139 | 4000 | 247 | 16 | 220 | 81 |
| AM1D-0509SH40Z | 4.5-5.5 | 9 | 111 | 4000 | 244 | 15 | 220 | 82 |
| AM1D-0512SH40Z | 4.5-5.5 | 12 | 83 | 4000 | 253 | 17 | 220 | 79 |
| AM1D-0515SH40Z | 4.5-5.5 | 15 | 67 | 4000 | 233 | 17 | 220 | 86 |
| AM1D-0518SH40Z | 4.5-5.5 | 18 | 56 | 4000 | 241 | 16 | 220 | 83 |
| AM1D-0524SH40Z | 4.5-5.5 | 24 | 42 | 4000 | 244 | 20 | 220 | 82 |
| AM1D-1203SH40Z | 10.8-13.2 | 3.3 | 303 | 4000 | 111 | 12 | 220 | 75 |
| AM1D-1205SH40Z | 10.8-13.2 | 5 | 200 | 4000 | 105 | 14 | 220 | 79 |
| AM1D-1207SH40Z | 10.8-13.2 | 7.2 | 139 | 4000 | 111 | 14 | 220 | 75 |
| AM1D-1209SH40Z | 10.8-13.2 | 9 | 111 | 4000 | 104 | 9 | 220 | 80 |
| AM1D-1212SH40Z | 10.8-13.2 | 12 | 83 | 4000 | 105 | 13 | 220 | 79 |
| AM1D-1215SH40Z | 10.8-13.2 | 15 | 67 | 4000 | 102 | 10 | 220 | 82 |
| AM1D-1218SH40Z | 10.8-13.2 | 18 | 56 | 4000 | 103 | 11 | 220 | 81 |
| AM1D-1224SH40Z | 10.8-13.2 | 24 | 42 | 4000 | 110 | 20 | 220 | 76 |
| AM1D-1503SH40Z | 13.5-16.5 | 3.3 | 303 | 4000 | 83 | 10 | 220 | 80 |
| AM1D-1505SH40Z | 13.5-16.5 | 5 | 200 | 4000 | 82 | 7 | 220 | 81 |
| AM1D-1507SH40Z | 13.5-16.5 | 7.2 | 139 | 4000 | 85 | 10 | 220 | 78 |
| AM1D-1509SH40Z | 13.5-16.5 | 9 | 111 | 4000 | 85 | 10 | 220 | 78 |

| | | | | | | | | |
|----------------|-----------|-----|-----|------|-----|----|-----|----|
| AM1D-1512SH40Z | 13.5-16.5 | 12 | 83 | 4000 | 83 | 8 | 220 | 80 |
| AM1D-1515SH40Z | 13.5-16.5 | 15 | 67 | 4000 | 84 | 12 | 220 | 79 |
| AM1D-1518SH40Z | 13.5-16.5 | 18 | 56 | 4000 | 83 | 10 | 220 | 80 |
| AM1D-1524SH40Z | 13.5-16.5 | 24 | 42 | 4000 | 80 | 5 | 220 | 83 |
| AM1D-2403SH40Z | 21.6-26.4 | 3.3 | 303 | 4000 | 56 | 8 | 220 | 74 |
| AM1D-2405SH40Z | 21.6-26.4 | 5 | 200 | 4000 | 54 | 6 | 220 | 77 |
| AM1D-2407SH40Z | 21.6-26.4 | 7.2 | 139 | 4000 | 57 | 6 | 220 | 73 |
| AM1D-2409SH40Z | 21.6-26.4 | 9 | 111 | 4000 | 55 | 6 | 220 | 76 |
| AM1D-2412SH40Z | 21.6-26.4 | 12 | 83 | 4000 | 53 | 6 | 220 | 78 |
| AM1D-2415SH40Z | 21.6-26.4 | 15 | 67 | 4000 | 52 | 5 | 220 | 80 |
| AM1D-2418SH40Z | 21.6-26.4 | 18 | 56 | 4000 | 51 | 5 | 220 | 82 |
| AM1D-2424SH40Z | 21.6-26.4 | 24 | 42 | 4000 | 52 | 8 | 220 | 80 |
| AM1D-0303SH52Z | 2.97-3.63 | 3.3 | 303 | 5200 | 399 | 28 | 220 | 76 |
| AM1D-0305SH52Z | 2.97-3.63 | 5 | 200 | 5200 | 389 | 22 | 220 | 78 |
| AM1D-0307SH52Z | 2.97-3.63 | 7.2 | 139 | 5200 | 379 | 22 | 220 | 78 |
| AM1D-0309SH52Z | 2.97-3.63 | 9 | 111 | 5200 | 379 | 35 | 220 | 80 |
| AM1D-0312SH52Z | 2.97-3.63 | 12 | 83 | 5200 | 389 | 30 | 220 | 77 |
| AM1D-0315SH52Z | 2.97-3.63 | 15 | 67 | 5200 | 389 | 30 | 220 | 78 |
| AM1D-0318SH52Z | 2.97-3.63 | 18 | 56 | 5200 | 415 | 30 | 220 | 73 |
| AM1D-0324SH52Z | 2.97-3.63 | 24 | 42 | 5200 | 415 | 30 | 220 | 73 |
| AM1D-0503SH52Z | 4.5-5.5 | 3.3 | 303 | 5200 | 256 | 15 | 220 | 78 |
| AM1D-0505SH52Z | 4.5-5.5 | 5 | 200 | 5200 | 247 | 17 | 220 | 81 |
| AM1D-0507SH52Z | 4.5-5.5 | 7.2 | 139 | 5200 | 247 | 16 | 220 | 81 |
| AM1D-0509SH52Z | 4.5-5.5 | 9 | 111 | 5200 | 244 | 15 | 220 | 82 |
| AM1D-0512SH52Z | 4.5-5.5 | 12 | 83 | 5200 | 253 | 17 | 220 | 79 |
| AM1D-0515SH52Z | 4.5-5.5 | 15 | 67 | 5200 | 233 | 17 | 220 | 86 |
| AM1D-0518SH52Z | 4.5-5.5 | 18 | 56 | 5200 | 241 | 16 | 220 | 83 |
| AM1D-0524SH52Z | 4.5-5.5 | 24 | 42 | 5200 | 244 | 20 | 220 | 82 |
| AM1D-1203SH52Z | 10.8-13.2 | 3.3 | 303 | 5200 | 111 | 12 | 220 | 75 |
| AM1D-1205SH52Z | 10.8-13.2 | 5 | 200 | 5200 | 105 | 14 | 220 | 79 |
| AM1D-1207SH52Z | 10.8-13.2 | 7.2 | 139 | 5200 | 111 | 14 | 220 | 75 |
| AM1D-1209SH52Z | 10.8-13.2 | 9 | 111 | 5200 | 104 | 9 | 220 | 80 |
| AM1D-1212SH52Z | 10.8-13.2 | 12 | 83 | 5200 | 105 | 13 | 220 | 79 |
| AM1D-1215SH52Z | 10.8-13.2 | 15 | 67 | 5200 | 102 | 10 | 220 | 82 |
| AM1D-1218SH52Z | 10.8-13.2 | 18 | 56 | 5200 | 103 | 11 | 220 | 81 |
| AM1D-1224SH52Z | 10.8-13.2 | 24 | 42 | 5200 | 110 | 20 | 220 | 76 |
| AM1D-1503SH52Z | 13.5-16.5 | 3.3 | 303 | 5200 | 83 | 10 | 220 | 80 |
| AM1D-1505SH52Z | 13.5-16.5 | 5 | 200 | 5200 | 82 | 7 | 220 | 81 |
| AM1D-1507SH52Z | 13.5-16.5 | 7.2 | 139 | 5200 | 85 | 10 | 220 | 78 |
| AM1D-1509SH52Z | 13.5-16.5 | 9 | 111 | 5200 | 85 | 10 | 220 | 78 |
| AM1D-1512SH52Z | 13.5-16.5 | 12 | 83 | 5200 | 83 | 8 | 220 | 80 |
| AM1D-1515SH52Z | 13.5-16.5 | 15 | 67 | 5200 | 84 | 12 | 220 | 79 |
| AM1D-1518SH52Z | 13.5-16.5 | 18 | 56 | 5200 | 83 | 10 | 220 | 80 |
| AM1D-1524SH52Z | 13.5-16.5 | 24 | 42 | 5200 | 80 | 5 | 220 | 83 |
| AM1D-2403SH52Z | 21.6-26.4 | 3.3 | 303 | 5200 | 56 | 8 | 220 | 74 |
| AM1D-2405SH52Z | 21.6-26.4 | 5 | 200 | 5200 | 54 | 6 | 220 | 77 |
| AM1D-2407SH52Z | 21.6-26.4 | 7.2 | 139 | 5200 | 57 | 6 | 220 | 73 |
| AM1D-2409SH52Z | 21.6-26.4 | 9 | 111 | 5200 | 55 | 6 | 220 | 76 |
| AM1D-2412SH52Z | 21.6-26.4 | 12 | 83 | 5200 | 53 | 6 | 220 | 78 |
| AM1D-2415SH52Z | 21.6-26.4 | 15 | 67 | 5200 | 52 | 5 | 220 | 80 |
| AM1D-2418SH52Z | 21.6-26.4 | 18 | 56 | 5200 | 51 | 5 | 220 | 82 |
| AM1D-2424SH52Z | 21.6-26.4 | 24 | 42 | 5200 | 52 | 8 | 220 | 80 |
| AM1D-0303SH60Z | 2.97-3.63 | 3.3 | 303 | 6000 | 399 | 28 | 220 | 76 |
| AM1D-0305SH60Z | 2.97-3.63 | 5 | 200 | 6000 | 389 | 22 | 220 | 78 |
| AM1D-0307SH60Z | 2.97-3.63 | 7.2 | 139 | 6000 | 379 | 22 | 220 | 78 |
| AM1D-0309SH60Z | 2.97-3.63 | 9 | 111 | 6000 | 379 | 35 | 220 | 80 |
| AM1D-0312SH60Z | 2.97-3.63 | 12 | 83 | 6000 | 389 | 30 | 220 | 77 |
| AM1D-0315SH60Z | 2.97-3.63 | 15 | 67 | 6000 | 389 | 30 | 220 | 78 |
| AM1D-0318SH60Z | 2.97-3.63 | 18 | 56 | 6000 | 415 | 30 | 220 | 73 |

| | | | | | | | | |
|----------------|-----------|-----|-----|------|-----|----|-----|----|
| AM1D-0324SH60Z | 2.97-3.63 | 24 | 42 | 6000 | 415 | 30 | 220 | 73 |
| AM1D-0503SH60Z | 4.5-5.5 | 3.3 | 303 | 6000 | 256 | 15 | 220 | 78 |
| AM1D-0505SH60Z | 4.5-5.5 | 5 | 200 | 6000 | 247 | 17 | 220 | 81 |
| AM1D-0507SH60Z | 4.5-5.5 | 7.2 | 139 | 6000 | 247 | 16 | 220 | 81 |
| AM1D-0509SH60Z | 4.5-5.5 | 9 | 111 | 6000 | 244 | 15 | 220 | 82 |
| AM1D-0512SH60Z | 4.5-5.5 | 12 | 83 | 6000 | 253 | 17 | 220 | 79 |
| AM1D-0515SH60Z | 4.5-5.5 | 15 | 67 | 6000 | 233 | 17 | 220 | 86 |
| AM1D-0518SH60Z | 4.5-5.5 | 18 | 56 | 6000 | 241 | 16 | 220 | 83 |
| AM1D-0524SH60Z | 4.5-5.5 | 24 | 42 | 6000 | 244 | 20 | 220 | 82 |
| AM1D-1203SH60Z | 10.8-13.2 | 3.3 | 303 | 6000 | 111 | 12 | 220 | 75 |
| AM1D-1205SH60Z | 10.8-13.2 | 5 | 200 | 6000 | 105 | 14 | 220 | 79 |
| AM1D-1207SH60Z | 10.8-13.2 | 7.2 | 139 | 6000 | 111 | 14 | 220 | 75 |
| AM1D-1209SH60Z | 10.8-13.2 | 9 | 111 | 6000 | 104 | 9 | 220 | 80 |
| AM1D-1212SH60Z | 10.8-13.2 | 12 | 83 | 6000 | 105 | 13 | 220 | 79 |
| AM1D-1215SH60Z | 10.8-13.2 | 15 | 67 | 6000 | 102 | 10 | 220 | 82 |
| AM1D-1218SH60Z | 10.8-13.2 | 18 | 56 | 6000 | 103 | 11 | 220 | 81 |
| AM1D-1224SH60Z | 10.8-13.2 | 24 | 42 | 6000 | 110 | 20 | 220 | 76 |
| AM1D-1503SH60Z | 13.5-16.5 | 3.3 | 303 | 6000 | 83 | 10 | 220 | 80 |
| AM1D-1505SH60Z | 13.5-16.5 | 5 | 200 | 6000 | 82 | 7 | 220 | 81 |
| AM1D-1507SH60Z | 13.5-16.5 | 7.2 | 139 | 6000 | 85 | 10 | 220 | 78 |
| AM1D-1509SH60Z | 13.5-16.5 | 9 | 111 | 6000 | 85 | 10 | 220 | 78 |
| AM1D-1512SH60Z | 13.5-16.5 | 12 | 83 | 6000 | 83 | 8 | 220 | 80 |
| AM1D-1515SH60Z | 13.5-16.5 | 15 | 67 | 6000 | 84 | 12 | 220 | 79 |
| AM1D-1518SH60Z | 13.5-16.5 | 18 | 56 | 6000 | 83 | 10 | 220 | 80 |
| AM1D-1524SH60Z | 13.5-16.5 | 24 | 42 | 6000 | 80 | 5 | 220 | 83 |
| AM1D-2403SH60Z | 21.6-26.4 | 3.3 | 303 | 6000 | 56 | 8 | 220 | 74 |
| AM1D-2405SH60Z | 21.6-26.4 | 5 | 200 | 6000 | 54 | 6 | 220 | 77 |
| AM1D-2407SH60Z | 21.6-26.4 | 7.2 | 139 | 6000 | 57 | 6 | 220 | 73 |
| AM1D-2409SH60Z | 21.6-26.4 | 9 | 111 | 6000 | 55 | 6 | 220 | 76 |
| AM1D-2412SH60Z | 21.6-26.4 | 12 | 83 | 6000 | 53 | 6 | 220 | 78 |
| AM1D-2415SH60Z | 21.6-26.4 | 15 | 67 | 6000 | 52 | 5 | 220 | 80 |
| AM1D-2418SH60Z | 21.6-26.4 | 18 | 56 | 6000 | 51 | 5 | 220 | 82 |
| AM1D-2424SH60Z | 21.6-26.4 | 24 | 42 | 6000 | 52 | 8 | 220 | 80 |

Models

Dual output

| Model | Input Voltage (V) | Output Voltage (V) | Output Current Max (mA) | Isolation (VDC) | Input Current Full Load No Load (mA) | Max Capacitive Load (uF) | Efficiency (%) |
|-------------|-------------------|--------------------|-------------------------|-----------------|----------------------------------------|--------------------------|----------------|
| AM1D-0303DZ | 2.97-3.63 | ±3.3 | ±152 | 1000 | 459 30 | ±100 | 66 |
| AM1D-0305DZ | 2.97-3.63 | ±5 | ±100 | 1000 | 433 30 | ±100 | 70 |
| AM1D-0307DZ | 2.97-3.63 | ±7.2 | ±69 | 1000 | 421 30 | ±100 | 72 |
| AM1D-0309DZ | 2.97-3.63 | ±9 | ±56 | 1000 | 404 26 | ±100 | 75 |
| AM1D-0312DZ | 2.97-3.63 | ±12 | ±42 | 1000 | 394 30 | ±100 | 77 |
| AM1D-0315DZ | 2.97-3.63 | ±15 | ±33 | 1000 | 389 30 | ±100 | 78 |
| AM1D-0318DZ | 2.97-3.63 | ±18 | ±28 | 1000 | 404 25 | ±100 | 75 |
| AM1D-0324DZ | 2.97-3.63 | ±24 | ±21 | 1000 | 404 25 | ±100 | 75 |
| AM1D-0503DZ | 4.5-5.5 | ±3.3 | ±152 | 1000 | 299 20 | ±100 | 67 |
| AM1D-0505DZ | 4.5-5.5 | ±5 | ±100 | 1000 | 270 20 | ±100 | 74 |
| AM1D-0507DZ | 4.5-5.5 | ±7.2 | ±69 | 1000 | 253 15 | ±100 | 79 |
| AM1D-0509DZ | 4.5-5.5 | ±9 | ±56 | 1000 | 247 15 | ±100 | 81 |
| AM1D-0512DZ | 4.5-5.5 | ±12 | ±42 | 1000 | 250 20 | ±100 | 80 |
| AM1D-0515DZ | 4.5-5.5 | ±15 | ±33 | 1000 | 244 20 | ±100 | 82 |
| AM1D-0518DZ | 4.5-5.5 | ±18 | ±27 | 1000 | 247 22 | ±100 | 81 |
| AM1D-0524DZ | 4.5-5.5 | ±24 | ±21 | 1000 | 247 22 | ±100 | 81 |
| AM1D-1203DZ | 10.8-13.2 | ±3.3 | ±152 | 1000 | 123 13 | ±100 | 68 |
| AM1D-1205DZ | 10.8-13.2 | ±5 | ±100 | 1000 | 123 10 | ±100 | 74 |
| AM1D-1207DZ | 10.8-13.2 | ±7.2 | ±69 | 1000 | 110 10 | ±100 | 76 |
| AM1D-1209DZ | 10.8-13.2 | ±9 | ±56 | 1000 | 110 13 | ±100 | 78 |
| AM1D-1212DZ | 10.8-13.2 | ±12 | ±42 | 1000 | 102 10 | ±100 | 82 |

| | | | | | | | | |
|----------------|-----------|------|------|------|-----|----|------|----|
| AM1D-1215DZ | 10.8-13.2 | ±15 | ±33 | 1000 | 102 | 10 | ±100 | 82 |
| AM1D-1218DZ | 10.8-13.2 | ±18 | ±28 | 1000 | 102 | 10 | ±100 | 82 |
| AM1D-1224DZ | 10.8-13.2 | ±24 | ±21 | 1000 | 111 | 20 | ±100 | 75 |
| AM1D-1503DZ | 13.5-16.5 | ±3.3 | ±152 | 1000 | 89 | 20 | ±100 | 75 |
| AM1D-1505DZ | 13.5-16.5 | ±5 | ±100 | 1000 | 89 | 20 | ±100 | 75 |
| AM1D-1507DZ | 13.5-16.5 | ±7.2 | ±69 | 1000 | 89 | 18 | ±100 | 75 |
| AM1D-1509DZ | 13.5-16.5 | ±9 | ±56 | 1000 | 87 | 18 | ±100 | 77 |
| AM1D-1512DZ | 13.5-16.5 | ±12 | ±42 | 1000 | 87 | 20 | ±100 | 77 |
| AM1D-1515DZ | 13.5-16.5 | ±15 | ±33 | 1000 | 87 | 20 | ±100 | 77 |
| AM1D-1518DZ | 13.5-16.5 | ±18 | ±28 | 1000 | 89 | 15 | ±100 | 75 |
| AM1D-1524DZ | 13.5-16.5 | ±24 | ±21 | 1000 | 89 | 15 | ±100 | 75 |
| AM1D-2403DZ | 21.6-26.4 | ±3.3 | ±152 | 1000 | 62 | 7 | ±100 | 67 |
| AM1D-2405DZ | 21.6-26.4 | ±5 | ±100 | 1000 | 56 | 6 | ±100 | 74 |
| AM1D-2407DZ | 21.6-26.4 | ±7.2 | ±69 | 1000 | 56 | 7 | ±100 | 78 |
| AM1D-2409DZ | 21.6-26.4 | ±9 | ±56 | 1000 | 56 | 7 | ±100 | 78 |
| AM1D-2412DZ | 21.6-26.4 | ±12 | ±42 | 1000 | 52 | 6 | ±100 | 80 |
| AM1D-2415DZ | 21.6-26.4 | ±15 | ±33 | 1000 | 52 | 8 | ±100 | 80 |
| AM1D-2418DZ | 21.6-26.4 | ±18 | ±28 | 1000 | 51 | 6 | ±100 | 81 |
| AM1D-2424DZ | 21.6-26.4 | ±24 | ±21 | 1000 | 51 | 8 | ±100 | 82 |
| AM1D-0303DH30Z | 2.97-3.63 | ±3.3 | ±152 | 3000 | 459 | 30 | ±100 | 66 |
| AM1D-0305DH30Z | 2.97-3.63 | ±5 | ±100 | 3000 | 433 | 30 | ±100 | 70 |
| AM1D-0307DH30Z | 2.97-3.63 | ±7.2 | ±69 | 3000 | 421 | 30 | ±100 | 72 |
| AM1D-0309DH30Z | 2.97-3.63 | ±9 | ±56 | 3000 | 404 | 26 | ±100 | 75 |
| AM1D-0312DH30Z | 2.97-3.63 | ±12 | ±42 | 3000 | 394 | 30 | ±100 | 77 |
| AM1D-0315DH30Z | 2.97-3.63 | ±15 | ±33 | 3000 | 389 | 30 | ±100 | 78 |
| AM1D-0318DH30Z | 2.97-3.63 | ±18 | ±28 | 3000 | 404 | 25 | ±100 | 75 |
| AM1D-0324DH30Z | 2.97-3.63 | ±24 | ±21 | 3000 | 404 | 25 | ±100 | 75 |
| AM1D-0503DH30Z | 4.5-5.5 | ±3.3 | ±152 | 3000 | 299 | 20 | ±100 | 67 |
| AM1D-0505DH30Z | 4.5-5.5 | ±5 | ±100 | 3000 | 270 | 20 | ±100 | 74 |
| AM1D-0507DH30Z | 4.5-5.5 | ±7.2 | ±69 | 3000 | 253 | 15 | ±100 | 79 |
| AM1D-0509DH30Z | 4.5-5.5 | ±9 | ±56 | 3000 | 247 | 15 | ±100 | 81 |
| AM1D-0512DH30Z | 4.5-5.5 | ±12 | ±42 | 3000 | 250 | 20 | ±100 | 80 |
| AM1D-0515DH30Z | 4.5-5.5 | ±15 | ±33 | 3000 | 244 | 20 | ±100 | 82 |
| AM1D-0518DH30Z | 4.5-5.5 | ±18 | ±27 | 3000 | 247 | 22 | ±100 | 81 |
| AM1D-0524DH30Z | 4.5-5.5 | ±24 | ±21 | 3000 | 247 | 22 | ±100 | 81 |
| AM1D-1203DH30Z | 10.8-13.2 | ±3.3 | ±152 | 3000 | 123 | 13 | ±100 | 68 |
| AM1D-1205DH30Z | 10.8-13.2 | ±5 | ±100 | 3000 | 123 | 10 | ±100 | 74 |
| AM1D-1207DH30Z | 10.8-13.2 | ±7.2 | ±69 | 3000 | 110 | 10 | ±100 | 76 |
| AM1D-1209DH30Z | 10.8-13.2 | ±9 | ±56 | 3000 | 110 | 13 | ±100 | 78 |
| AM1D-1212DH30Z | 10.8-13.2 | ±12 | ±42 | 3000 | 102 | 10 | ±100 | 82 |
| AM1D-1215DH30Z | 10.8-13.2 | ±15 | ±33 | 3000 | 102 | 10 | ±100 | 82 |
| AM1D-1218DH30Z | 10.8-13.2 | ±18 | ±28 | 3000 | 102 | 10 | ±100 | 82 |
| AM1D-1224DH30Z | 10.8-13.2 | ±24 | ±21 | 3000 | 111 | 20 | ±100 | 75 |
| AM1D-1503DH30Z | 13.5-16.5 | ±3.3 | ±152 | 3000 | 89 | 20 | ±100 | 75 |
| AM1D-1505DH30Z | 13.5-16.5 | ±5 | ±100 | 3000 | 89 | 20 | ±100 | 75 |
| AM1D-1507DH30Z | 13.5-16.5 | ±7.2 | ±69 | 3000 | 89 | 18 | ±100 | 75 |
| AM1D-1509DH30Z | 13.5-16.5 | ±9 | ±56 | 3000 | 87 | 18 | ±100 | 77 |
| AM1D-1512DH30Z | 13.5-16.5 | ±12 | ±42 | 3000 | 87 | 20 | ±100 | 77 |
| AM1D-1515DH30Z | 13.5-16.5 | ±15 | ±33 | 3000 | 87 | 20 | ±100 | 77 |
| AM1D-1518DH30Z | 13.5-16.5 | ±18 | ±28 | 3000 | 89 | 15 | ±100 | 75 |
| AM1D-1524DH30Z | 13.5-16.5 | ±24 | ±21 | 3000 | 89 | 15 | ±100 | 75 |
| AM1D-2403DH30Z | 21.6-26.4 | ±3.3 | ±152 | 3000 | 62 | 7 | ±100 | 67 |
| AM1D-2405DH30Z | 21.6-26.4 | ±5 | ±100 | 3000 | 56 | 6 | ±100 | 74 |
| AM1D-2407DH30Z | 21.6-26.4 | ±7.2 | ±69 | 3000 | 56 | 7 | ±100 | 78 |
| AM1D-2409DH30Z | 21.6-26.4 | ±9 | ±56 | 3000 | 56 | 7 | ±100 | 78 |
| AM1D-2412DH30Z | 21.6-26.4 | ±12 | ±42 | 3000 | 52 | 6 | ±100 | 80 |
| AM1D-2415DH30Z | 21.6-26.4 | ±15 | ±33 | 3000 | 52 | 8 | ±100 | 80 |
| AM1D-2418DH30Z | 21.6-26.4 | ±18 | ±28 | 3000 | 51 | 6 | ±100 | 81 |
| AM1D-2424DH30Z | 21.6-26.4 | ±24 | ±21 | 3000 | 51 | 8 | ±100 | 82 |

| | | | | | | | | |
|----------------|-----------|------|------|------|-----|----|------|----|
| AM1D-0303DH40Z | 2.97-3.63 | ±3.3 | ±152 | 4000 | 459 | 30 | ±100 | 66 |
| AM1D-0305DH40Z | 2.97-3.63 | ±5 | ±100 | 4000 | 433 | 30 | ±100 | 70 |
| AM1D-0307DH40Z | 2.97-3.63 | ±7.2 | ±69 | 4000 | 421 | 30 | ±100 | 72 |
| AM1D-0309DH40Z | 2.97-3.63 | ±9 | ±56 | 4000 | 404 | 26 | ±100 | 75 |
| AM1D-0312DH40Z | 2.97-3.63 | ±12 | ±42 | 4000 | 394 | 30 | ±100 | 77 |
| AM1D-0315DH40Z | 2.97-3.63 | ±15 | ±33 | 4000 | 389 | 30 | ±100 | 78 |
| AM1D-0318DH40Z | 2.97-3.63 | ±18 | ±28 | 4000 | 404 | 25 | ±100 | 75 |
| AM1D-0324DH40Z | 2.97-3.63 | ±24 | ±21 | 4000 | 404 | 25 | ±100 | 75 |
| AM1D-0503DH40Z | 4.5-5.5 | ±3.3 | ±152 | 4000 | 299 | 20 | ±100 | 67 |
| AM1D-0505DH40Z | 4.5-5.5 | ±5 | ±100 | 4000 | 270 | 20 | ±100 | 74 |
| AM1D-0507DH40Z | 4.5-5.5 | ±7.2 | ±69 | 4000 | 253 | 15 | ±100 | 79 |
| AM1D-0509DH40Z | 4.5-5.5 | ±9 | ±56 | 4000 | 247 | 15 | ±100 | 81 |
| AM1D-0512DH40Z | 4.5-5.5 | ±12 | ±42 | 4000 | 250 | 20 | ±100 | 80 |
| AM1D-0515DH40Z | 4.5-5.5 | ±15 | ±33 | 4000 | 244 | 20 | ±100 | 82 |
| AM1D-0518DH40Z | 4.5-5.5 | ±18 | ±27 | 4000 | 247 | 22 | ±100 | 81 |
| AM1D-0524DH40Z | 4.5-5.5 | ±24 | ±21 | 4000 | 247 | 22 | ±100 | 81 |
| AM1D-1203DH40Z | 10.8-13.2 | ±3.3 | ±152 | 4000 | 123 | 13 | ±100 | 68 |
| AM1D-1205DH40Z | 10.8-13.2 | ±5 | ±100 | 4000 | 123 | 10 | ±100 | 74 |
| AM1D-1207DH40Z | 10.8-13.2 | ±7.2 | ±69 | 4000 | 110 | 10 | ±100 | 76 |
| AM1D-1209DH40Z | 10.8-13.2 | ±9 | ±56 | 4000 | 110 | 13 | ±100 | 78 |
| AM1D-1212DH40Z | 10.8-13.2 | ±12 | ±42 | 4000 | 102 | 10 | ±100 | 82 |
| AM1D-1215DH40Z | 10.8-13.2 | ±15 | ±33 | 4000 | 102 | 10 | ±100 | 82 |
| AM1D-1218DH40Z | 10.8-13.2 | ±18 | ±28 | 4000 | 102 | 10 | ±100 | 82 |
| AM1D-1224DH40Z | 10.8-13.2 | ±24 | ±21 | 4000 | 111 | 20 | ±100 | 75 |
| AM1D-1503DH40Z | 13.5-16.5 | ±3.3 | ±152 | 4000 | 89 | 20 | ±100 | 75 |
| AM1D-1505DH40Z | 13.5-16.5 | ±5 | ±100 | 4000 | 89 | 20 | ±100 | 75 |
| AM1D-1507DH40Z | 13.5-16.5 | ±7.2 | ±69 | 4000 | 89 | 18 | ±100 | 75 |
| AM1D-1509DH40Z | 13.5-16.5 | ±9 | ±56 | 4000 | 87 | 18 | ±100 | 77 |
| AM1D-1512DH40Z | 13.5-16.5 | ±12 | ±42 | 4000 | 87 | 20 | ±100 | 77 |
| AM1D-1515DH40Z | 13.5-16.5 | ±15 | ±33 | 4000 | 87 | 20 | ±100 | 77 |
| AM1D-1518DH40Z | 13.5-16.5 | ±18 | ±28 | 4000 | 89 | 15 | ±100 | 75 |
| AM1D-1524DH40Z | 13.5-16.5 | ±24 | ±21 | 4000 | 89 | 15 | ±100 | 75 |
| AM1D-2403DH40Z | 21.6-26.4 | ±3.3 | ±152 | 4000 | 62 | 7 | ±100 | 67 |
| AM1D-2405DH40Z | 21.6-26.4 | ±5 | ±100 | 4000 | 56 | 6 | ±100 | 74 |
| AM1D-2407DH40Z | 21.6-26.4 | ±7.2 | ±69 | 4000 | 56 | 7 | ±100 | 78 |
| AM1D-2409DH40Z | 21.6-26.4 | ±9 | ±56 | 4000 | 56 | 7 | ±100 | 78 |
| AM1D-2412DH40Z | 21.6-26.4 | ±12 | ±42 | 4000 | 52 | 6 | ±100 | 80 |
| AM1D-2415DH40Z | 21.6-26.4 | ±15 | ±33 | 4000 | 52 | 8 | ±100 | 80 |
| AM1D-2418DH40Z | 21.6-26.4 | ±18 | ±28 | 4000 | 51 | 6 | ±100 | 81 |
| AM1D-2424DH40Z | 21.6-26.4 | ±24 | ±21 | 4000 | 51 | 8 | ±100 | 82 |
| AM1D-0303DH52Z | 2.97-3.63 | ±3.3 | ±152 | 5200 | 459 | 30 | ±100 | 66 |
| AM1D-0305DH52Z | 2.97-3.63 | ±5 | ±100 | 5200 | 433 | 30 | ±100 | 70 |
| AM1D-0307DH52Z | 2.97-3.63 | ±7.2 | ±69 | 5200 | 421 | 30 | ±100 | 72 |
| AM1D-0309DH52Z | 2.97-3.63 | ±9 | ±56 | 5200 | 404 | 26 | ±100 | 75 |
| AM1D-0312DH52Z | 2.97-3.63 | ±12 | ±42 | 5200 | 394 | 30 | ±100 | 77 |
| AM1D-0315DH52Z | 2.97-3.63 | ±15 | ±33 | 5200 | 389 | 30 | ±100 | 78 |
| AM1D-0318DH52Z | 2.97-3.63 | ±18 | ±28 | 5200 | 404 | 25 | ±100 | 75 |
| AM1D-0324DH52Z | 2.97-3.63 | ±24 | ±21 | 5200 | 404 | 25 | ±100 | 75 |
| AM1D-0503DH52Z | 4.5-5.5 | ±3.3 | ±152 | 5200 | 299 | 20 | ±100 | 67 |
| AM1D-0505DH52Z | 4.5-5.5 | ±5 | ±100 | 5200 | 270 | 20 | ±100 | 74 |
| AM1D-0507DH52Z | 4.5-5.5 | ±7.2 | ±69 | 5200 | 253 | 15 | ±100 | 79 |
| AM1D-0509DH52Z | 4.5-5.5 | ±9 | ±56 | 5200 | 247 | 15 | ±100 | 81 |
| AM1D-0512DH52Z | 4.5-5.5 | ±12 | ±42 | 5200 | 250 | 20 | ±100 | 80 |
| AM1D-0515DH52Z | 4.5-5.5 | ±15 | ±33 | 5200 | 244 | 20 | ±100 | 82 |
| AM1D-0518DH52Z | 4.5-5.5 | ±18 | ±27 | 5200 | 247 | 22 | ±100 | 81 |
| AM1D-0524DH52Z | 4.5-5.5 | ±24 | ±21 | 5200 | 247 | 22 | ±100 | 81 |
| AM1D-1203DH52Z | 10.8-13.2 | ±3.3 | ±152 | 5200 | 123 | 13 | ±100 | 68 |
| AM1D-1205DH52Z | 10.8-13.2 | ±5 | ±100 | 5200 | 123 | 10 | ±100 | 74 |
| AM1D-1207DH52Z | 10.8-13.2 | ±7.2 | ±69 | 5200 | 110 | 10 | ±100 | 76 |
| AM1D-1209DH52Z | 10.8-13.2 | ±9 | ±56 | 5200 | 110 | 13 | ±100 | 78 |

| | | | | | | | | |
|----------------|-----------|------|------|------|-----|----|------|----|
| AM1D-1212DH52Z | 10.8-13.2 | ±12 | ±42 | 5200 | 102 | 10 | ±100 | 82 |
| AM1D-1215DH52Z | 10.8-13.2 | ±15 | ±33 | 5200 | 102 | 10 | ±100 | 82 |
| AM1D-1218DH52Z | 10.8-13.2 | ±18 | ±28 | 5200 | 102 | 10 | ±100 | 82 |
| AM1D-1224DH52Z | 10.8-13.2 | ±24 | ±21 | 5200 | 111 | 20 | ±100 | 75 |
| AM1D-1503DH52Z | 13.5-16.5 | ±3.3 | ±152 | 5200 | 89 | 20 | ±100 | 75 |
| AM1D-1505DH52Z | 13.5-16.5 | ±5 | ±100 | 5200 | 89 | 20 | ±100 | 75 |
| AM1D-1507DH52Z | 13.5-16.5 | ±7.2 | ±69 | 5200 | 89 | 18 | ±100 | 75 |
| AM1D-1509DH52Z | 13.5-16.5 | ±9 | ±56 | 5200 | 87 | 18 | ±100 | 77 |
| AM1D-1512DH52Z | 13.5-16.5 | ±12 | ±42 | 5200 | 87 | 20 | ±100 | 77 |
| AM1D-1515DH52Z | 13.5-16.5 | ±15 | ±33 | 5200 | 87 | 20 | ±100 | 77 |
| AM1D-1518DH52Z | 13.5-16.5 | ±18 | ±28 | 5200 | 89 | 15 | ±100 | 75 |
| AM1D-1524DH52Z | 13.5-16.5 | ±24 | ±21 | 5200 | 89 | 15 | ±100 | 75 |
| AM1D-2403DH52Z | 21.6-26.4 | ±3.3 | ±152 | 5200 | 62 | 7 | ±100 | 67 |
| AM1D-2405DH52Z | 21.6-26.4 | ±5 | ±100 | 5200 | 56 | 6 | ±100 | 74 |
| AM1D-2407DH52Z | 21.6-26.4 | ±7.2 | ±69 | 5200 | 56 | 7 | ±100 | 78 |
| AM1D-2409DH52Z | 21.6-26.4 | ±9 | ±56 | 5200 | 56 | 7 | ±100 | 78 |
| AM1D-2412DH52Z | 21.6-26.4 | ±12 | ±42 | 5200 | 52 | 6 | ±100 | 80 |
| AM1D-2415DH52Z | 21.6-26.4 | ±15 | ±33 | 5200 | 52 | 8 | ±100 | 80 |
| AM1D-2418DH52Z | 21.6-26.4 | ±18 | ±28 | 5200 | 51 | 6 | ±100 | 81 |
| AM1D-2424DH52Z | 21.6-26.4 | ±24 | ±21 | 5200 | 51 | 8 | ±100 | 82 |
| AM1D-0303DH60Z | 2.97-3.63 | ±3.3 | ±152 | 6000 | 459 | 30 | ±100 | 66 |
| AM1D-0305DH60Z | 2.97-3.63 | ±5 | ±100 | 6000 | 433 | 30 | ±100 | 70 |
| AM1D-0307DH60Z | 2.97-3.63 | ±7.2 | ±69 | 6000 | 421 | 30 | ±100 | 72 |
| AM1D-0309DH60Z | 2.97-3.63 | ±9 | ±56 | 6000 | 404 | 26 | ±100 | 75 |
| AM1D-0312DH60Z | 2.97-3.63 | ±12 | ±42 | 6000 | 394 | 30 | ±100 | 77 |
| AM1D-0315DH60Z | 2.97-3.63 | ±15 | ±33 | 6000 | 389 | 30 | ±100 | 78 |
| AM1D-0318DH60Z | 2.97-3.63 | ±18 | ±28 | 6000 | 404 | 25 | ±100 | 75 |
| AM1D-0324DH60Z | 2.97-3.63 | ±24 | ±21 | 6000 | 404 | 25 | ±100 | 75 |
| AM1D-0503DH60Z | 4.5-5.5 | ±3.3 | ±152 | 6000 | 299 | 20 | ±100 | 67 |
| AM1D-0505DH60Z | 4.5-5.5 | ±5 | ±100 | 6000 | 270 | 20 | ±100 | 74 |
| AM1D-0507DH60Z | 4.5-5.5 | ±7.2 | ±69 | 6000 | 253 | 15 | ±100 | 79 |
| AM1D-0509DH60Z | 4.5-5.5 | ±9 | ±56 | 6000 | 247 | 15 | ±100 | 81 |
| AM1D-0512DH60Z | 4.5-5.5 | ±12 | ±42 | 6000 | 250 | 20 | ±100 | 80 |
| AM1D-0515DH60Z | 4.5-5.5 | ±15 | ±33 | 6000 | 244 | 20 | ±100 | 82 |
| AM1D-0518DH60Z | 4.5-5.5 | ±18 | ±27 | 6000 | 247 | 22 | ±100 | 81 |
| AM1D-0524DH60Z | 4.5-5.5 | ±24 | ±21 | 6000 | 247 | 22 | ±100 | 81 |
| AM1D-1203DH60Z | 10.8-13.2 | ±3.3 | ±152 | 6000 | 123 | 13 | ±100 | 68 |
| AM1D-1205DH60Z | 10.8-13.2 | ±5 | ±100 | 6000 | 123 | 10 | ±100 | 74 |
| AM1D-1207DH60Z | 10.8-13.2 | ±7.2 | ±69 | 6000 | 110 | 10 | ±100 | 76 |
| AM1D-1209DH60Z | 10.8-13.2 | ±9 | ±56 | 6000 | 110 | 13 | ±100 | 78 |
| AM1D-1212DH60Z | 10.8-13.2 | ±12 | ±42 | 6000 | 102 | 10 | ±100 | 82 |
| AM1D-1215DH60Z | 10.8-13.2 | ±15 | ±33 | 6000 | 102 | 10 | ±100 | 82 |
| AM1D-1218DH60Z | 10.8-13.2 | ±18 | ±28 | 6000 | 102 | 10 | ±100 | 82 |
| AM1D-1224DH60Z | 10.8-13.2 | ±24 | ±21 | 6000 | 111 | 20 | ±100 | 75 |
| AM1D-1503DH60Z | 13.5-16.5 | ±3.3 | ±152 | 6000 | 89 | 20 | ±100 | 75 |
| AM1D-1505DH60Z | 13.5-16.5 | ±5 | ±100 | 6000 | 89 | 20 | ±100 | 75 |
| AM1D-1507DH60Z | 13.5-16.5 | ±7.2 | ±69 | 6000 | 89 | 18 | ±100 | 75 |
| AM1D-1509DH60Z | 13.5-16.5 | ±9 | ±56 | 6000 | 87 | 18 | ±100 | 77 |
| AM1D-1512DH60Z | 13.5-16.5 | ±12 | ±42 | 6000 | 87 | 20 | ±100 | 77 |
| AM1D-1515DH60Z | 13.5-16.5 | ±15 | ±33 | 6000 | 87 | 20 | ±100 | 77 |
| AM1D-1518DH60Z | 13.5-16.5 | ±18 | ±28 | 6000 | 89 | 15 | ±100 | 75 |
| AM1D-1524DH60Z | 13.5-16.5 | ±24 | ±21 | 6000 | 89 | 15 | ±100 | 75 |
| AM1D-2403DH60Z | 21.6-26.4 | ±3.3 | ±152 | 6000 | 62 | 7 | ±100 | 67 |
| AM1D-2405DH60Z | 21.6-26.4 | ±5 | ±100 | 6000 | 56 | 6 | ±100 | 74 |
| AM1D-2407DH60Z | 21.6-26.4 | ±7.2 | ±69 | 6000 | 56 | 7 | ±100 | 78 |
| AM1D-2409DH60Z | 21.6-26.4 | ±9 | ±56 | 6000 | 56 | 7 | ±100 | 78 |
| AM1D-2412DH60Z | 21.6-26.4 | ±12 | ±42 | 6000 | 52 | 6 | ±100 | 80 |
| AM1D-2415DH60Z | 21.6-26.4 | ±15 | ±33 | 6000 | 52 | 8 | ±100 | 80 |
| AM1D-2418DH60Z | 21.6-26.4 | ±18 | ±28 | 6000 | 51 | 6 | ±100 | 81 |
| AM1D-2424DH60Z | 21.6-26.4 | ±24 | ±21 | 6000 | 51 | 8 | ±100 | 82 |

Models

Dual separated output

| Model | Input Voltage (V) | Output Voltage (V) | Output Current max (mA) | Isolation (VDC) | Input Current Full Load No Load (mA) | | Max Capacitive Load (uF) | Efficiency (%) |
|---------------|-------------------|--------------------|-------------------------|-----------------|----------------------------------------|----|--------------------------|----------------|
| AM1D-050303DZ | 4.5-5.5 | 3.3/3.3 | 151/151 | 1000 | 256 | 15 | 100 | 75 |
| AM1D-050505DZ | 4.5-5.5 | 5/5 | 100/100 | 1000 | 247 | 17 | 100 | 75 |
| AM1D-050707DZ | 4.5-5.5 | 7.2/7.2 | 69/69 | 1000 | 247 | 16 | 100 | 77 |
| AM1D-050909DZ | 4.5-5.5 | 9/9 | 56/56 | 1000 | 244 | 15 | 100 | 79 |
| AM1D-051212DZ | 4.5-5.5 | 12/12 | 42/42 | 1000 | 253 | 17 | 100 | 80 |
| AM1D-051515DZ | 4.5-5.5 | 15/15 | 33 /33 | 1000 | 233 | 17 | 100 | 82 |
| AM1D-051818DZ | 4.5-5.5 | 18/18 | 27/27 | 1000 | 241 | 16 | 100 | 79 |
| AM1D-052424DZ | 4.5-5.5 | 24/24 | 20/20 | 1000 | 244 | 20 | 100 | 77 |
| AM1D-120303DZ | 10.8-13.2 | 3.3/3.3 | 151/151 | 1000 | 111 | 12 | 100 | 65 |
| AM1D-120505DZ | 10.8-13.2 | 5/5 | 100/100 | 1000 | 105 | 14 | 100 | 75 |
| AM1D-120707DZ | 10.8-13.2 | 7.2/7.2 | 69/69 | 1000 | 111 | 14 | 100 | 77 |
| AM1D-120909DZ | 10.8-13.2 | 9/9 | 56/56 | 1000 | 104 | 9 | 100 | 77 |
| AM1D-121212DZ | 10.8-13.2 | 12/12 | 42/42 | 1000 | 105 | 13 | 100 | 80 |
| AM1D-121515DZ | 10.8-13.2 | 15/15 | 33 /33 | 1000 | 102 | 10 | 100 | 81 |
| AM1D-121818DZ | 10.8-13.2 | 18/18 | 27/27 | 1000 | 103 | 11 | 100 | 75 |
| AM1D-122424DZ | 10.8-13.2 | 24/24 | 20/20 | 1000 | 110 | 20 | 100 | 74 |
| AM1D-240303DZ | 21.6-26.4 | 3.3/3.3 | 151/151 | 1000 | 56 | 8 | 100 | 66 |
| AM1D-240505DZ | 21.6-26.4 | 5/5 | 100/100 | 1000 | 54 | 6 | 100 | 75 |
| AM1D-240707DZ | 21.6-26.4 | 7.2/7.2 | 69/69 | 1000 | 57 | 6 | 100 | 77 |
| AM1D-240909DZ | 21.6-26.4 | 9/9 | 56/56 | 1000 | 55 | 6 | 100 | 79 |
| AM1D-241212DZ | 21.6-26.4 | 12/12 | 42/42 | 1000 | 53 | 6 | 100 | 82 |
| AM1D-241515DZ | 21.6-26.4 | 15/15 | 33 /33 | 1000 | 52 | 5 | 100 | 82 |
| AM1D-241818DZ | 21.6-26.4 | 18/18 | 27/27 | 1000 | 51 | 5 | 100 | 78 |
| AM1D-242424DZ | 21.6-26.4 | 24/24 | 20/20 | 1000 | 52 | 8 | 100 | 76 |

NOTE: All specifications in this datasheet are measured at an ambient temperature of 25°C, humidity<75%, nominal input voltage and at rated output load unless otherwise specified.

Input Specifications

| Parameters | Nominal | Typical | Maximum | Units |
|--------------------------------|-----------|-----------|---------|--------|
| Voltage range | 3.3 | 2.97-3.63 | | VDC |
| | 5 | 4.5-5.5 | | |
| | 12 | 10.8-13.2 | | |
| | 15 | 13.5-16.5 | | |
| | 24 | 21.6-26.4 | | |
| Filter | Capacitor | | | |
| Input reflected input current* | | 20 | | mA p-p |
| Absolute Maximum Rating | 3.3 Vin | 0-6 | | VDC |
| | 5 Vin | 0-7 | | |
| | 12 Vin | 0-15 | | |
| | 15 Vin | 0-20 | | |
| | 24 Vin | 0-28 | | |
| Peak Input Voltage time | | 100 | | ms |

*Measured with 12μH source inductance and 47μF (ESR<1Ω at 100KHz) source capacitor.

NOTE: For front end protection, a slow blow fuse should be added: 800mA for 3.3V input models, 500mA for 5V input models and 300mA for all others.

Isolation Specifications

| Parameters | Conditions | Typical | Rated | Units |
|--------------------|------------|---------|-------------------------------|-------|
| Tested I/O voltage | 60 sec | | 1000, 3000, 4000, 5200 & 6000 | VDC |
| Resistance | | > 1000 | | MOhm |
| Capacitance | | 60 | | pF |

Output Specifications

| Parameters | Conditions | Typical | Maximum | Units |
|-------------------------|--------------------------------------------------|---------|---------|--------|
| Voltage accuracy | Dual separated output models | ±3 | | % |
| Voltage accuracy | Other models | | ±3 | % |
| Line voltage regulation | For 1.0% of Vin | ±1.2 | | % |
| Load voltage regulation | Dual separated output models, load 20~100% | ±10 | | % |
| Load voltage regulation | Dual separated 3.3V output models, load 20~100% | ±20 | | % |
| Load voltage regulation | Other models, load 20~100% | | ±10 | % |
| Load voltage regulation | Other 3.3V output models, load 20~100% | | ±20 | % |
| Temperature coefficient | | ±0.02 | | %/°C |
| Ripple & Noise | Dual separated output models, At 20MHz Bandwidth | 75 | | mV p-p |
| Ripple & Noise | Other models, At 20MHz Bandwidth | | 75 | mV p-p |

General Specifications

| Parameters | Conditions | Typical | Maximum | Units |
|------------------------|---------------------------------------------------------|-------------------------|---------|-------|
| Switching frequency | 100% load, variable | 80 | | KHz |
| Operating temperature | Full Load without Derating | -40 to +85 | | °C |
| Storage temperature | | -40 to +125 | | °C |
| Max Case temperature | | | +100 | °C |
| Cooling | Free air convection | | | |
| Humidity | | | 95 | % |
| Altitude | | | 3000 | m |
| Case material | Non-conductive black plastic UL 94 V-0 | | | |
| Weight | | 2.3 | | g |
| Dimensions (L x W x H) | 0.76 x 0.24 x 0.39 inch | 19.50 x 6.00 x 10.00 mm | | |
| MTBF | >1 121 000 hrs (MIL-HDBK -217F, Ground Benign, t=+25°C) | | | |

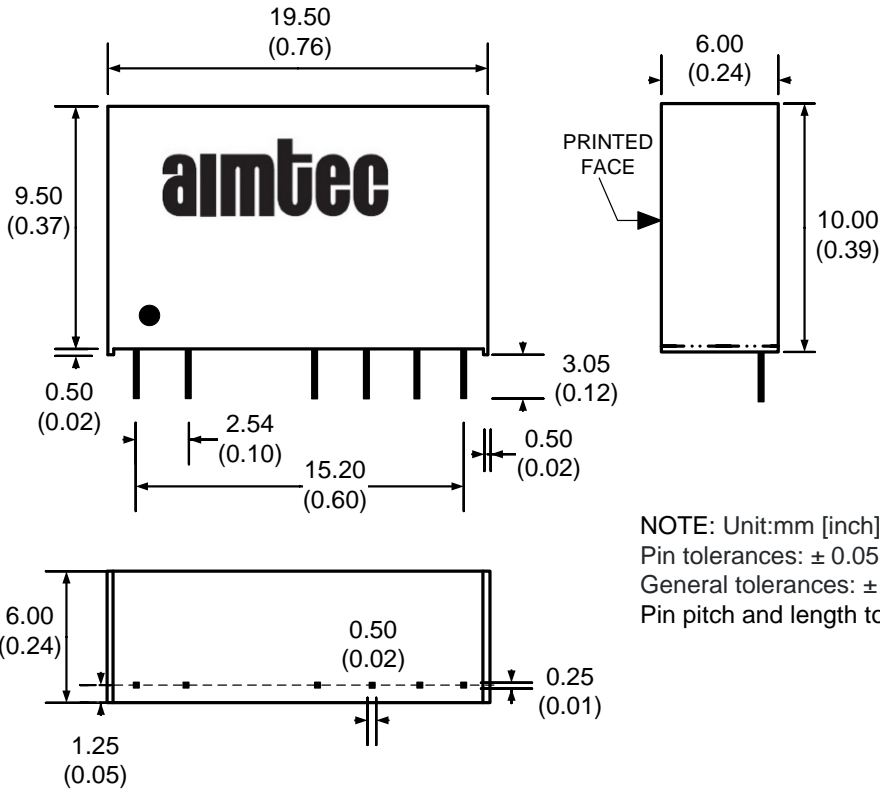
Safety Specifications

| Standards | |
|------------------|----------------------------------------------------------------------------------------------|
| Agency approvals | cULus & CE (with exception of dual separated models) |
| Safety | EN/UL 60950-1, 62368-1 |
| | EN55032, class B, with the recommended EMI circuit (with exception of dual separated models) |
| | EN55024 (Noise Immunity) |
| | IEC61000-4-2(ESD) Criteria A |
| | IEC61000-4-3(Radiated immunity) Criteria A |
| | IEC61000-4-4(EFT) Criteria A, with the recommended EFT/Surge external circuit |
| | IEC61000-4-5(Surge) Criteria A, with the recommended EFT/Surge external circuit |
| | IEC61000-4-6(CS) Criteria A |
| | IEC61000-4-8(PFME) Criteria A |

Pin Out Specifications

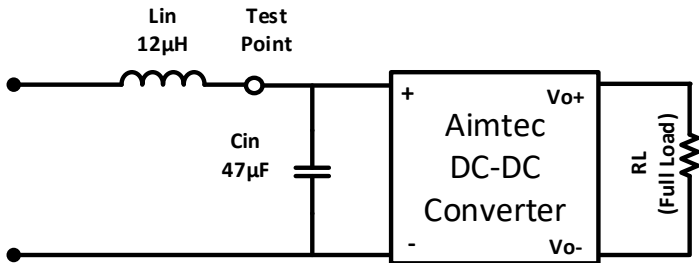
| Pin | Single 1000 VDC | Dual 1000 VDC | Dual Separated 1000 VDC | Single 3000, 4000, 5200 & 6000 VDC | Dual 3000, 4000, 5200 & 6000 VDC |
|-----|-----------------|---------------|-------------------------|------------------------------------|----------------------------------|
| 1 | + V Input | + V Input | +V Input | + V Input | + V Input |
| 2 | - V Input | - V Input | -V Input | - V Input | - V Input |
| 4 | - V Output | - V Output | +V1 Output | No pin | No pin |
| 5 | No pin | Common | -V1 Output | - V Output | - V Output |
| 6 | + V Output | + V Output | +V2 Output | No pin | Common |
| 7 | No pin | No pin | -V2 Output | + V Output | + V Output |

Dimensions:



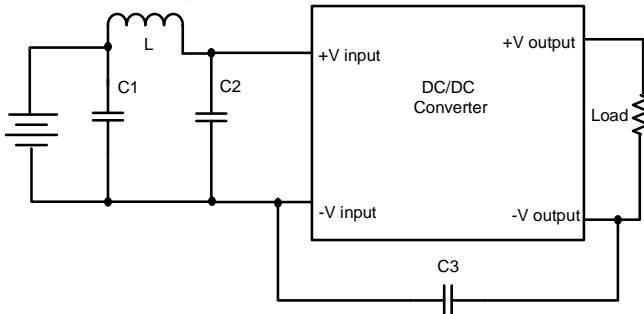
NOTE: Unit:mm [inch]
Pin tolerances: $\pm 0.05\text{mm}$ [$\pm 0.002\text{inch}$]
General tolerances: $\pm 0.5\text{mm}$ [$\pm 0.02\text{inch}$]
Pin pitch and length tolerance: ± 0.35 (± 0.014)

Input Reflected Ripple Test Circuit



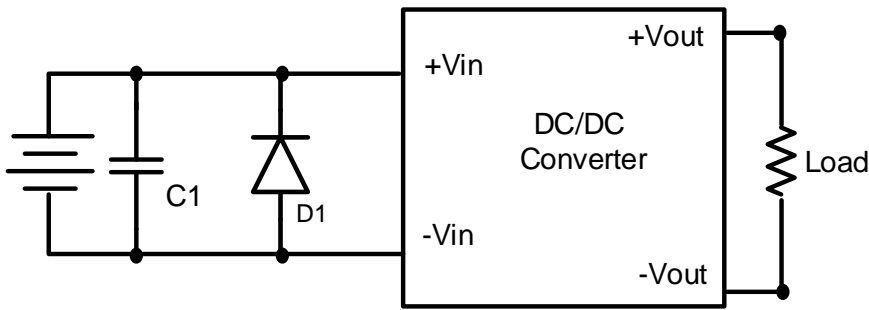
* Tested at full load, and nominal input

Class B EMI, external filter



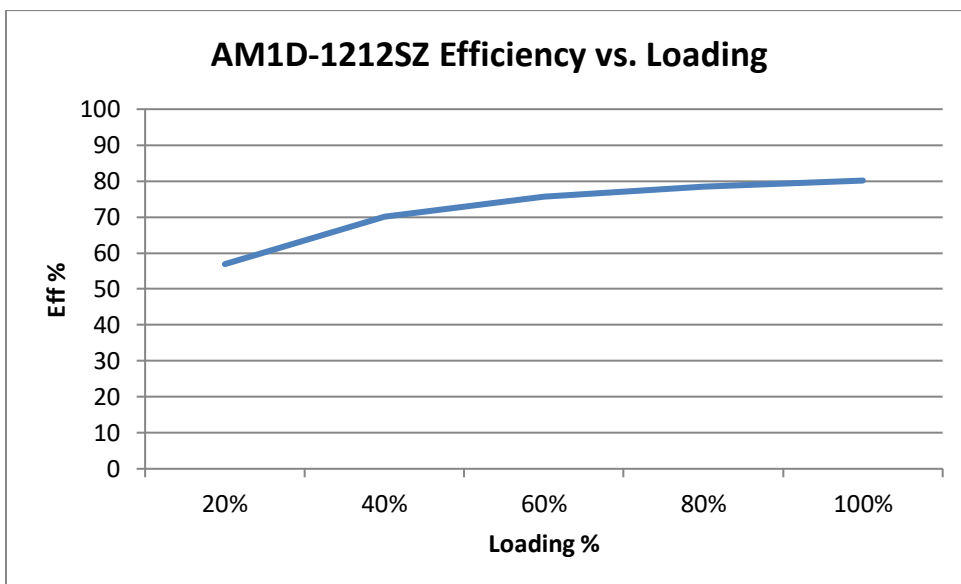
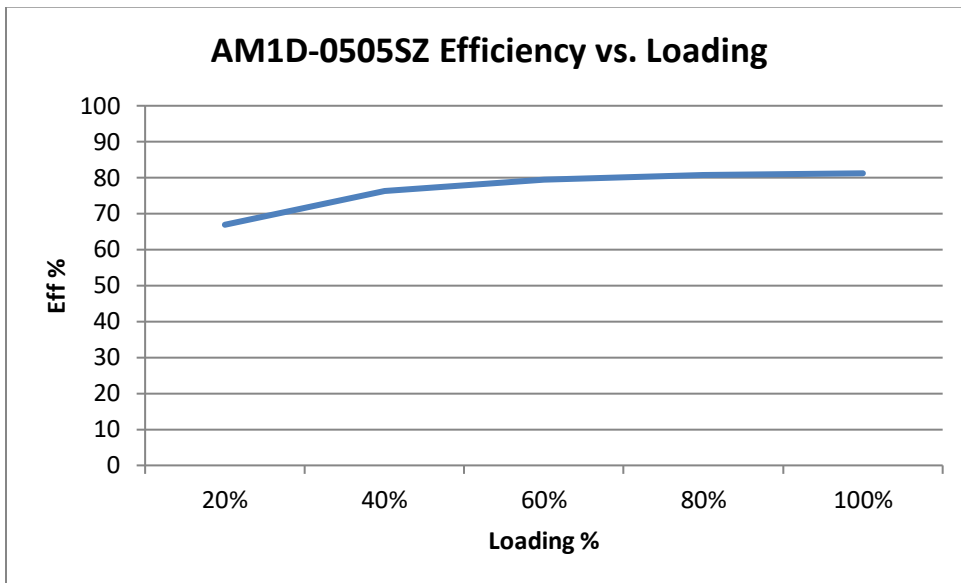
| Vin | C1 | C2 | L | C3 |
|--------------------|------------|------------|------|-----------|
| 3.3, 5, 12, 15 VDC | 2.2µF/100V | - | 18µH | - |
| 24VDC | | 2.2µF/100V | | 470pF/2KV |

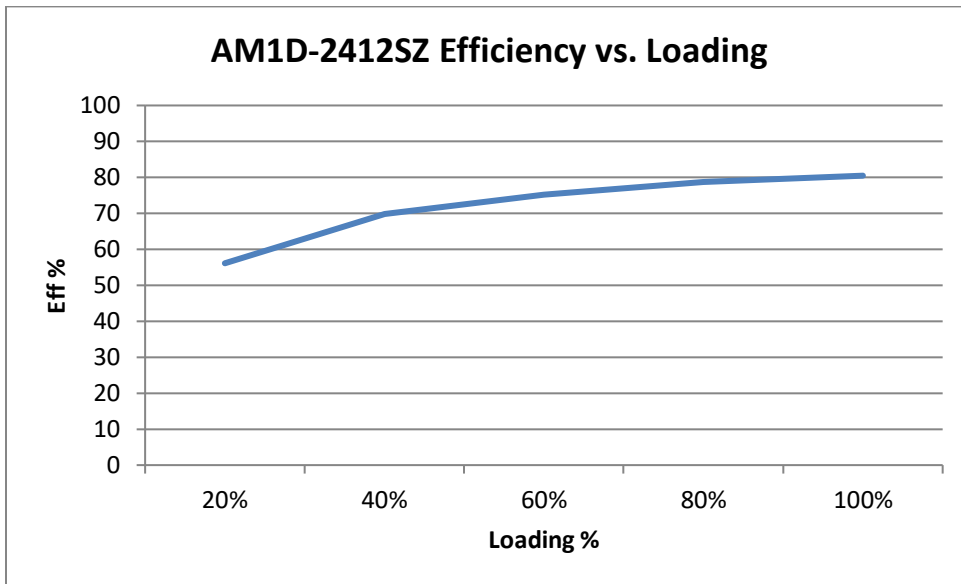
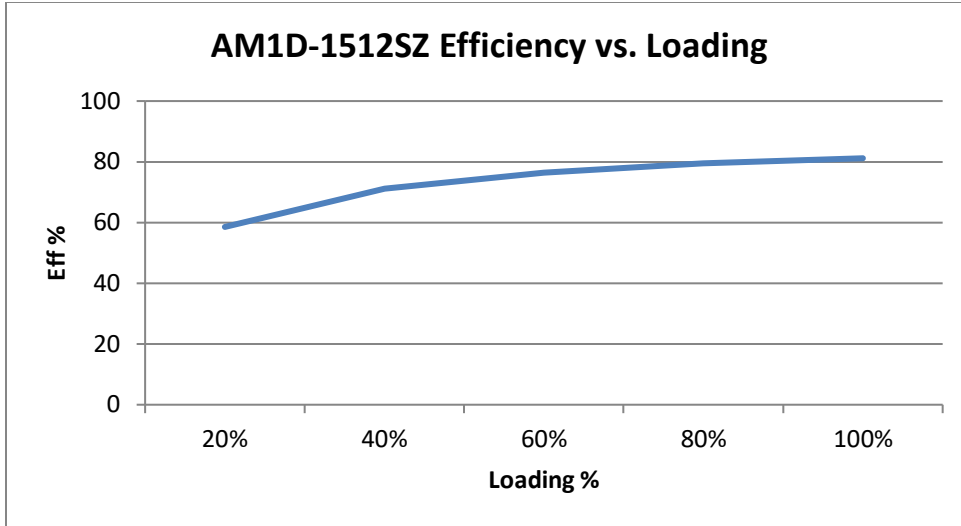
EFT/Surge Application circuit



| Vin | C1 | D1 |
|--------|-------------|-----------|
| 3.3VDC | 2200µF/100V | TVS, 5V |
| 5VDC | | TVS, 6.5V |
| 12VDC | | TVS, 14V |
| 15VDC | | TVS, 18V |
| 24VDC | | TVS, 26V |

Typical Efficiency Chart Examples





NOTE: **1.** Datasheets are updated as needed and as such, specifications are subject to change without notice. Once printed or downloaded, datasheets are no longer controlled by Aimtec; refer to www.aimtec.com for the most current product specifications. **2.** Product labels shown, including safety agency certifications on labels, may vary based on the date manufactured. **3.** Mechanical drawings and specifications are for reference only. **4.** All specifications are measured at an ambient temperature of 25°C, humidity<75%, nominal input voltage and at rated output load unless otherwise specified. **5.** Aimtec may not have conducted destructive testing or chemical analysis on all internal components and chemicals at the time of publishing this document. CAS numbers and other limited information are considered proprietary and may not be available for release. **6.** This product is not designed for use in critical life support systems, equipment used in hazardous environments, nuclear control systems or other such applications which necessitate specific safety and regulatory standards other the ones listed in this datasheet. **7.** Warranty is in accordance with Aimtec's standard Terms of Sale available at www.aimtec.com.