



- Features :
 - 2:1 wide input range
 - 1500VDC I/O isolation
 - Built-in remote ON/OFF control
 - Built-in EMI filter
 - Protections: Short circuit / Overload
 - Cooling by free air convection
 - Five-sided shield metal case
 - 100% full load burn-in test
 - Low cost / High reliability
 - 2 years warranty

■ GTIN CODE

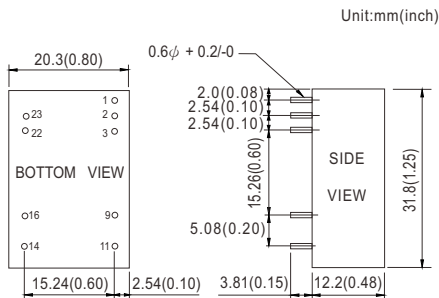
MW Search: <https://www.meanwell.com/serviceGTIN.aspx>



SPECIFICATION

ORDER NO.	DCW12A-05	DCW12B-05	DCW12C-05	DCW12A-12	DCW12B-12	DCW12C-12	DCW12A-15	DCW12B-15	DCW12C-15	
OUTPUT	DC VOLTAGE		±5V		±12V		±15V			
	CURRENT RANGE		±240 ~ ±1200mA		±100~ ±500mA		±80 ~ ±400mA			
	RATED POWER		12W							
	RIPPLE & NOISE (max.) Note.2		50mVp-p			60mVp-p		60mVp-p		
	LINE REGULATION Note.3		±0.5%							
	LOAD REGULATION Note.4		±0.5%							
	VOLTAGE ACCURACY		±2.0%							
	SWITCHING FREQUENCY		400KHz min.							
INPUT	EXTERNAL CAPACITANCE LOAD (max.)		670uF			100uF		47uF		
	VOLTAGE RANGE		A: 9 ~ 18VDC		B: 18 ~ 36VDC		C: 36 ~ 72VDC			
	EFFICIENCY (Typ.)		80%		80%		81%		84%	
	DC CURRENT		Full load		A: 1245mA		B: 625mA		C: 320mA	
			No load		A: 70mA		B: 35mA		C: 25mA	
PROTECTION	FILTER		Pi network							
	PROTECTION		Fuse recommended							
PROTECTION Note.5	OVERLOAD		110 ~ 180% rated output load Protection type : Hiccup mode, recovers automatically after fault condition is removed							
	SHORT CIRCUIT		All output equipped with over current protection Protection type : Hiccup mode, recovers automatically after fault condition is removed							
ENVIRONMENT	WORKING TEMP.		-40 ~ +71°C (Refer to "Derating Curve")							
	WORKING HUMIDITY		20% ~ 90% RH non-condensing							
	STORAGE TEMP., HUMIDITY		-40 ~ +105°C, 10 ~ 95% RH							
	TEMP. COEFFICIENT		±0.05% / °C (0 ~ 50°C)							
	VIBRATION		10 ~ 500Hz, 2G 10min./1cycle, period for 60min. each along X, Y, Z axes							
SAFETY & EMC	SAFETY STANDARDS		EAC TP TC 020/2011 approved							
	WITHSTAND VOLTAGE		I/P-O/P: 1.5KVDC							
	ISOLATION RESISTANCE		I/P-O/P: 100M Ohms / 500VDC / 25°C / 70% RH							
	ISOLATION CAPACITANCE		2200pF max.							
	EMC EMISSION		Compliance to BS EN/EN55032 Class A, FCC part 15 Class A, EAC TP TC 020							
OTHERS	EMC IMMUNITY		Compliance to BS EN/EN61000-4-2,3,4,5,6,8, light industry level, criteria A, EAC TP TC 020							
	REMOTE CONTROL		Power ON: R.C. ~ -Vin > 4VDC or open ; Power OFF: R.C. ~ -Vin < 1VDC or short							
	MTBF		600Khrs min. MIL-HDBK-217F (25°C)							
	DIMENSION		31.8*20.3*12.2mm (L*W*H) or 1.25**0.80**0.48" inch (L*W*H)							
PACKING		18.5g								

■ Mechanical Specification

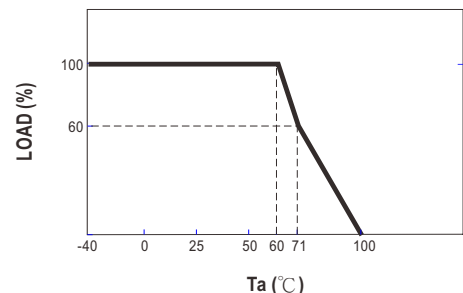


Pin Size is Tolerance 0.5±0.05mm, Tolerance .X or .XX= ±0.5mm

■ Pin Configuration

Pin No.	Output
1	R.C.
2 & 3	-Vin
9	COM
11	-Vout
14	+Vout
16	COM
22 & 23	+Vin

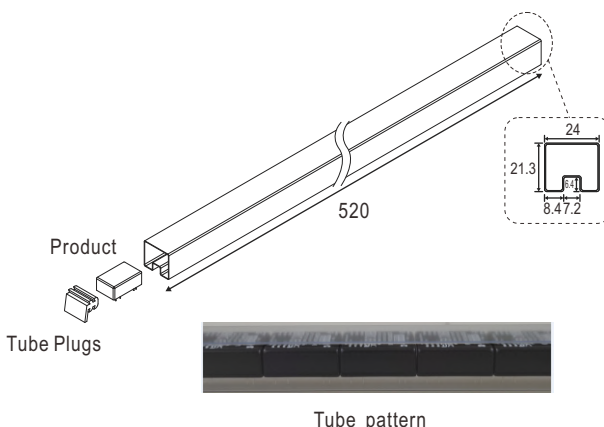
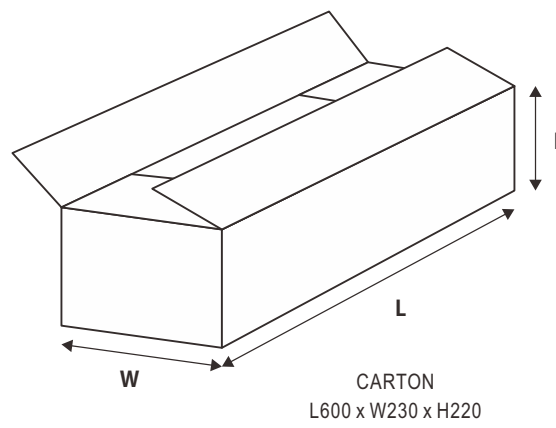
■ Derating Curve



NOTE

- All parameters are specified at normal input, rated load, 25°C 70% RH ambient.
 - Ripple & noise are measured at 20MHz by using a 12" twisted pair terminated with a 0.1uf & 47uf capacitor.
 - Line regulation is measured from low line to high line at rated load.
 - Load regulation is measured from 20% to 100% rated load.
 - Please prevent the converter from operating in overload or short circuit condition for more than 30 seconds.
- ※ Product Liability Disclaimer : For detailed information, please refer to <https://www.meanwell.com/serviceDisclaimer.aspx>

■ Packing

Standard Tube Packing	MPQ Per Tube (PCS)	One Box G.W.	Max. Q'TY/ Carton(PCS)	One Carton G.W.
<p>Unit : mm</p>  	15	313g	750	17Kg

■ Installation Manual

Please refer to : <http://www.meanwell.com/manual.html>