



BS EN62368-1



EN62368-1



FEATURES

- Wide input voltage range 85 - 264VAC or 120 - 370VDC
- Accepts AC or DC input (dual-use of same terminal)
- Built-in active PFC function
- Operating ambient temperature range: -40°C to +70°C
- High reliability, efficiency up to 94%
- Output short circuit, 5s constant-current, over-voltage, over-temperature protection
- Support 3+1 parallel redundancy, current sharing
- Operating up to 5000m altitude
- Fan speed automatic adjustable
- 5 years warranty
- Safety according to IEC/UL62368, EN/ES/IEC60601, IEC60335, GB4943

LMF1500-20Bxx series is one of Mornsun's enclosed AC-DC switching power supply. It features universal AC input and at the same time accepts DC input voltage, cost-effective, low no load power consumption, high efficiency, high reliability and double or reinforced insulation. These converters offer excellent EMC performance and meet IEC/EN/UL/BS EN62368, EN/ES/IEC60601, IEC60335, GB4943 standards and they are widely used in areas of industrial, LED, street light control, electricity, security, telecommunications, smart home. etc.

Selection Guide

| Certification | Part No.* | Output Power (W) | Nominal Output Voltage and Current (Vo/Io) | | Output Voltage Adjustable Range (V) Vo1 | Efficiency at 230VAC (%) Typ. | Max. Capacitive Load (μF) | |
|---------------|---------------|------------------|--|---------|---|-------------------------------|---------------------------|------|
| | | | Vo1/Io1 | Vo2/Io2 | | | Vo1 | Vo2 |
| UL/CE | LMF1500-20B12 | 1510 | 12V/125A | | 12-14.4 | 92 | 40000 | 1000 |
| | LMF1500-20B15 | 1510 | 15V/100A | | 15-18 | 92 | 20000 | |
| | LMF1500-20B24 | 1510 | 24V/62.5A | | 24-28.8 | 94 | 10000 | |
| | LMF1500-20B27 | 1522 | 27V/56A | | 27-32.4 | 94 | 8000 | |
| | LMF1500-20B36 | 1522 | 36V/42A | | 36-43.2 | 94 | 6000 | |
| | LMF1500-20B48 | 1546 | 48V/32A | | 48-56 | 94 | 4000 | |
| | LMF1500-20B54 | 1522 | 54V/28A | | 54-58 | 94 | 3000 | |

Note: 1.*Use suffix "QQ" for both sides conformal coating.

2.*Before powering on the product, please confirm whether the control signal connection terminal (CN7) Pin6 (PS_ON) and Pin7 (GND) short-circuit jumper cap are connected. If not, the product without output. When the control signal connection terminal (CN7) of the product are external connected as a whole, please ensure that Pin6 and Pin7(or Pin14) are short-circuit connected. Please refer to LMF1500-20Bxx(-QQ) Series Power Supply Application Notes: 2.10 Remote control.

3.*When using the current sharing function for all models, do not directly increase the load on the system beyond the rated load of a single prototype when the power is turned on for the first time.

Input Specifications

| Item | Operating Conditions | Min. | Typ. | Max. | Unit |
|-------------------------|----------------------|-----------------------------|------|---------|------|
| Input Voltage Range | Rated input | 100 | -- | 240 | VAC |
| | AC input | 85 | -- | 264 | |
| | DC input | 120 | -- | 370 | VDC |
| Input Voltage Frequency | | 47 | -- | 63 | Hz |
| Input Current | 115VAC | -- | -- | 15.5 | A |
| | 230VAC | -- | -- | 8 | |
| Inrush Current | 115VAC | -- | 3.7 | 20 | |
| | 230VAC | -- | 6.5 | 40 | |
| Power Factor | 115VAC | Room-temperature, full load | | PF≥0.99 | |
| | 230VAC | | | PF≥0.95 | |
| Leakage Current | 240VAC | Earth leakage current | | <0.5mA | |
| | | Touch current | | <0.1mA | |
| Hot Plug | | Unavailable | | | |

Output Specifications

| Item | Operating Conditions | | Min. | Typ. | Max. | Unit |
|---|---|---------------------|---|---|------|------|
| Output Voltage Accuracy | Full load range | Vo1 | -- | ±1.0 | -- | % |
| | | Vo2 | -- | ±2.0 | -- | |
| Line Regulation | Rated load | Vo1 | -- | ±0.5 | -- | |
| | | Vo2 | -- | ±1.0 | -- | |
| Load Regulation | 0%-100% load | Vo1 | -- | ±0.5 | -- | |
| | | Vo2 | -- | ±3.0 | -- | |
| Ripple & Noise* | 20MHz bandwidth (peak-to-peak value) | Vo1:12V/15V/24V/27V | -- | -- | 150 | mV |
| | | Vo1: 36V/48V | -- | -- | 200 | |
| | | Vo1: 54V | -- | -- | 250 | |
| | | Vo2: 5V | -- | -- | 100 | |
| Hold-up Time | Full input voltage | | 12 | -- | -- | ms |
| Short Circuit Protection* | Recovery time <5s after the short circuit disappear | | Hiccup, self-recover | | | |
| Constant Current Protection* | 230VAC | | Constant current limit, output voltage turn off after 5s, self-recover | | | |
| Over-voltage Protection | 12V | | ≤16.5V | Output voltage turn off, re-power & PS_ON on for recover | | |
| | 15V | | ≤25.0V | | | |
| | 24V | | ≤33.0V | | | |
| | 27V | | ≤35.0V | | | |
| | 36V | | ≤48.0V | | | |
| | 48V | | ≤60.0V | | | |
| | 54V | | ≤63.0V | | | |
| Over-temperature Protection | Over-temperature protection activation | | -- | -- | 70 | °C |
| | Over-temperature protection deactivation | | 50 | -- | -- | |
| Minimum Load | | | 0 | -- | -- | % |
| Dynamic Minimum Load | | | 10 | -- | -- | |
| Fan | | | The fan speed is linearly adjusted and determined by the output power and output voltage together | | | |
| Note:1. *The "Tip and barrel method" is used for ripple and noise test, output parallel 47uF electrolytic capacitor and 0.1uF ceramic capacitor, please refer to Enclosed Switching Power Supply Application Notes for specific information; 2.*Over current protection is realized in constant current mode, see section 2.6 of the application manual below; 3.*For auxiliary short-circuit mode, refer to section 2.7 of the application manual below. | | | | | | |

General Specifications.

| Item | Operating Conditions | | Min. | Typ. | Max. | Unit |
|-----------------------|-----------------------|---------|----------------|------|------|--------|
| Isolation Test | Input - output | | 4000 | -- | -- | VAC |
| | Input - ⊕ | | 2000 | -- | -- | |
| | Output - ⊕ | | 1500 | -- | -- | |
| Insulation Resistance | Input - output | | 100 | -- | -- | MΩ |
| | Input - ⊕ | | | -- | -- | |
| | Output - ⊕ | | | -- | -- | |
| Operating Temperature | | | -40 | -- | +70 | °C |
| Storage Temperature | | | -40 | -- | +85 | |
| Storage Humidity | Non-condensing | | 10 | -- | 95 | %RH |
| Operating Humidity | | | 20 | -- | 90 | |
| Switching Frequency | PFC @ rated output | | -- | 65 | -- | kHz |
| | LLC @ rated output | | -- | 85 | -- | |
| Power Derating | Operating temperature | 12V/15V | -40°C to -30°C | 5 | -- | % / °C |
| | | | -30°C to +45°C | 0 | -- | |

| | | | | | | | | |
|-----------------|------------------------|----------------------------|----------------|---|----|-------|-------|----|
| | derating | | +45°C to +70°C | 1.6 | -- | -- | | |
| | | 24V/27V/ 36/48V/ 54V | | -40°C to -30°C | 5 | -- | | -- |
| | | | | -30°C to +50°C | 0 | -- | | -- |
| | | | | +50°C to +70°C | 2 | -- | | -- |
| | Input voltage derating | 85VAC - 100VAC | | 2 | -- | -- | %/VAC | |
| | 120VDC - 200VDC | | 0.875 | -- | -- | %/VDC | | |
| Safety Standard | | | | BS EN62368-1 & EN62368-1 (Report) Design refer to IEC/UL62368-1, EN/ES/IEC60601-1, IEC60335-1, GB4943.1 | | | | |
| Safety Class | | | | CLASS I | | | | |
| Isolation Level | Input - output | | | 2 x MOPP | | | | |
| | Input - ⊕ | | | 1 x MOPP | | | | |
| | Output - ⊕ | | | 1 x MOPP | | | | |
| MTBF | MIL-HDBK-217F@25°C | | | > 250,000 h | | | | |

Mechanical Specifications

| | |
|--|----------------------------|
| Case Material | SUS 304 |
| Dimensions | 250.0mm x 127.0mm x 40.5mm |
| Weight | 1800g (Typ.) |
| Cooling Method | 25CFM |
| Note:*Cooling method and power derating refer to typical characteristic curves | |

Electromagnetic Compatibility (EMC)

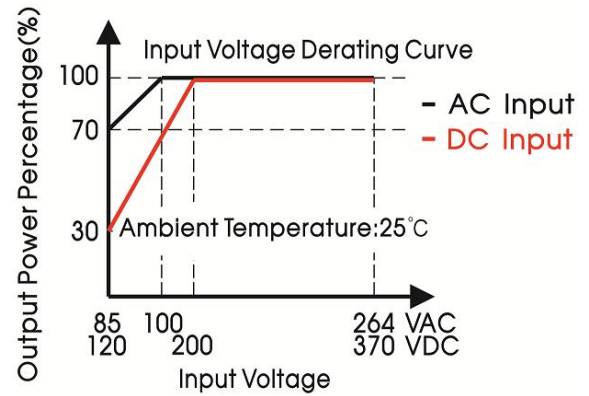
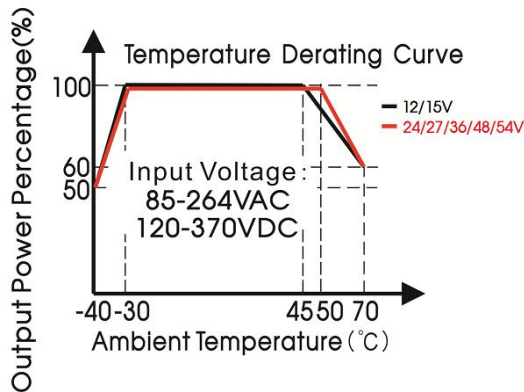
| | | | | |
|-----------|--|------------------|-----------------------------------|------------------|
| Emissions | CE | CISPR32/EN55032 | CLASS B | |
| | RE | CISPR32/EN55032 | CLASS B | |
| | Harmonic current | EN61000-3-2 | CLASS A | |
| Immunity | ESD | IEC/EN61000-4-2 | Contact ±8KV/Air ±15KV | perf. Criteria B |
| | RS | IEC/EN61000-4-3 | 10V/m | perf. Criteria A |
| | EFT | IEC/EN61000-4-4 | ±4KV | perf. Criteria B |
| | Surge | IEC/EN61000-4-5 | line to line ±2KV/line to PE ±4KV | perf. Criteria B |
| | CS | IEC/EN61000-4-6 | 10 Vr.m.s | perf. Criteria A |
| | Voltage dips, short Interruptions and voltage variations | IEC/EN61000-4-11 | 0%, 70% | perf. Criteria B |

Functional Specifications

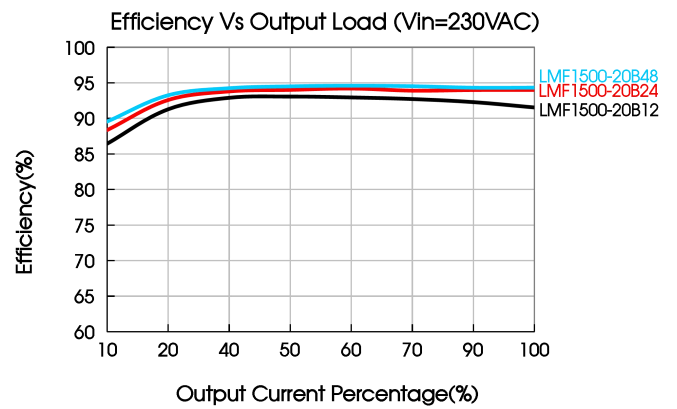
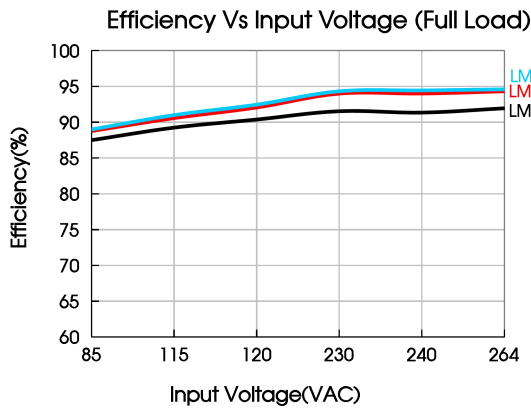
| Item | Operating Conditions | Min. | Typ. | Max. | Unit | |
|-------------------------------|--|--|------|------|------|-----------|
| Remote Control Switch | All input voltage range, all load range | Power on PS_ON (CN7, Pin6) and GND (CN7, Pin7/14) are shorted | | | | |
| | | Power off PS_ON (CN7 Pin6) and GND (CN7 Pin7/14) are open | | | | |
| DC_OK Signal | All input voltage range, all load range | 2.5 | -- | 5 | V | |
| | | -- | -- | 0.5 | | |
| Oring | Support direct parallel use, achieve 3+1 parallel redundancy | | | | | |
| Current Sharing Accuracy | Output > 50%Io1 | -- | ±5 | -- | % | |
| LED Signal* | Main output status indication | Normal output | | | | Green on |
| | | Abnormal output, protected | | | | Red on |
| | | Power off (AC without input) | | | | Light off |
| Remote Sense | Total compensate voltage, Vs+/Vs- (CN7 Pin1/8) shorted to Vo+/Vo- respectively | -- | 200 | -- | mV | |
| SDA, SCL for I ² C | Internal 2.4kΩ pull-up resistor to internal 3.3V | | | | | |

Note: *If the product is used in medical equipment, the terminal system should shield the LED signal light to meet the medical certification requirements that operators should not see the indicator light after the product is installed.

Product Characteristic Curve

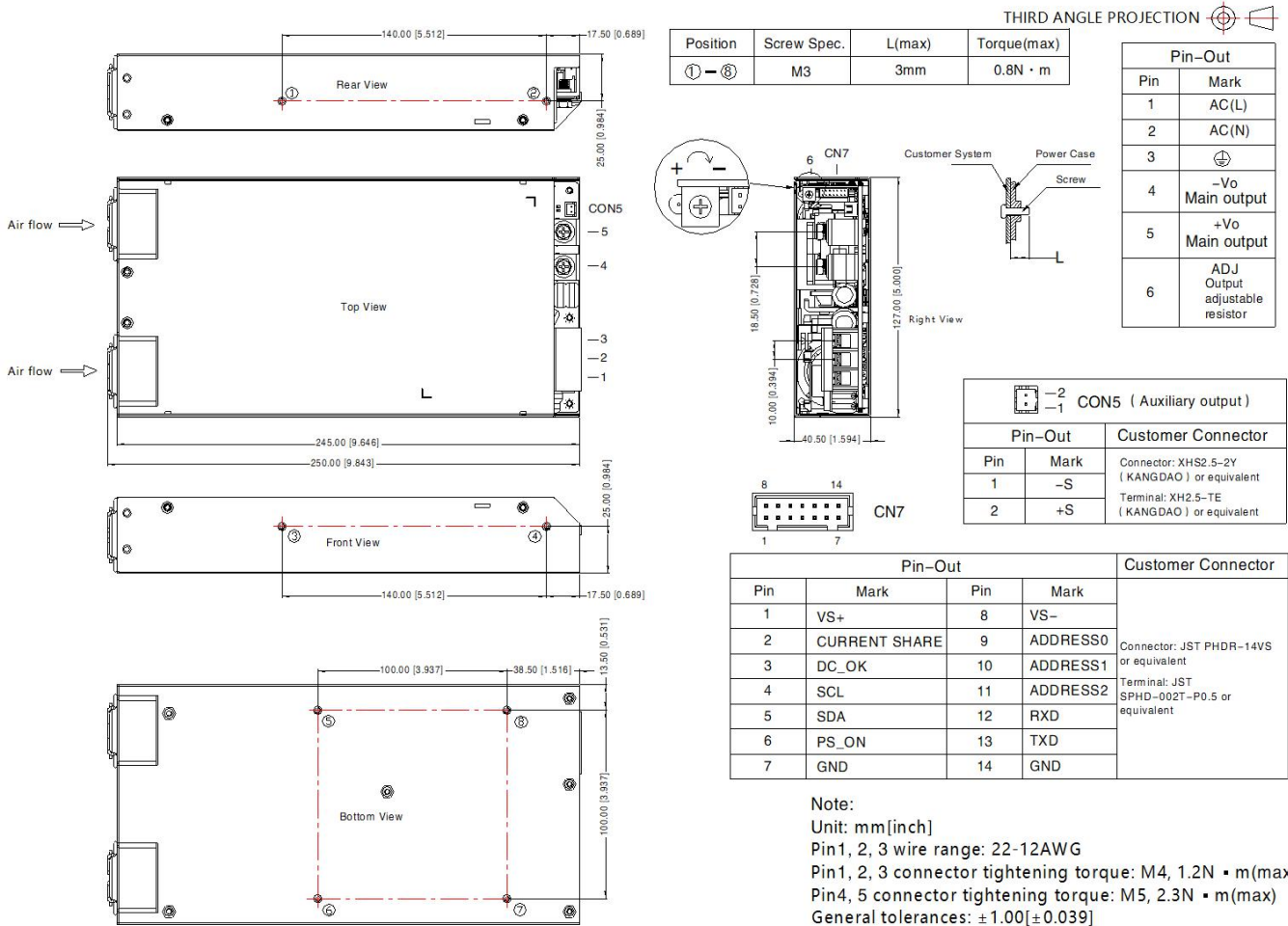


- Note: 1. With an AC input voltage between 85 - 100VAC and a DC input between 120 - 200VDC the output power must be derated as per the temperature derating curves;
2. This product is suitable for use in natural air cooling environment. If used in closed environment, please consult our FAE.



Dimensions and Recommended Layout

LMF1500-20Bxx, LMF1500-20Bxx-QQ Series



Note: 1. The bottom mounting hole of LMF1500 series products is based on the output side, which is compatible with our LMF1000 series products;
2. LMF1500 series products can be used with adapter plate: Compatible with the installation mode of mainstream 1500W products in the market. Please consult our FAE for EMC test operation instructions.

Note:

- For additional information on Product Packaging please refer to www.mornsun-power.com. Packaging bag number: 58220287;
 - Unless otherwise specified, parameters in this datasheet were measured under the conditions of Ta=25°C, humidity <75%RH with nominal input voltage and rated output load;
 - The room temperature derating of 5°C/1000m is needed for operating altitude greater than 2000m;
 - All index testing methods in this datasheet are based on our company corporate standards;
 - If we can provide product customization service, please contact our technicians directly for specific information;
 - Products are related to laws and regulations: see "Features" and "EMC";
 - The out case needs to be connected to PE (⊕) of system when the terminal equipment in operating;
 - Our products shall be classified according to ISO14001 and related environmental laws and regulations, and shall be handled by qualified units;
 - The power supply is considered a component which will be installed into a terminal equipment. All EMC tests should be confirmed with the final equipment. Please consult our FAE for EMC test operation instructions;
- In the appearance dimension drawing, ±Vo represents the main output, ±S represents the auxiliary output, and the auxiliary output can be selected by the customer, which has no effect on the main output.

Mornsun Guangzhou Science & Technology Co., Ltd.

Address: No. 5, Kehui St. 1, Kehui Development Center, Science Ave., Guangzhou Science City, Huangpu District, Guangzhou, P. R. China
Tel: 86-20-38601850 Fax: 86-20-38601272 E-mail: info@mornsun.cn

LMF1500-20Bxx(-QQ) Power Supply Application Note

Content

| | |
|---|----|
| 1. 1. Overview..... | 7 |
| 2. Function Manual..... | 11 |
| 2.1 Input Requirements..... | 11 |
| 2.2 Output Requirements..... | 11 |
| 2.3 Start-up timing..... | 11 |
| 2.4 Fan Speed Control..... | 12 |
| 2.5 Output over-voltage protection(OVP)..... | 12 |
| 2.6 Output over-current protection(OCP)..... | 13 |
| 2.7 Output short circuit protection(SCP)..... | 13 |
| 2.8 Over temperature protection(OTP)..... | 14 |
| 2.9 Output power derating..... | 14 |
| 2.10 Remote control..... | 14 |
| 2.11 DC_OK Signal..... | 15 |
| 2.12 Remote compensation..... | 16 |
| 2.13 Parallel operation..... | 17 |
| 2.13.1 Redundancy..... | 17 |
| 2.13.2 Current sharing..... | 17 |
| 2.14 I2C communication address..... | 19 |
| 3. Installation requirements..... | 20 |
| 3.1 Safety introduction..... | 20 |
| 3.2 Safety requirements..... | 20 |
| 3.3 Installation method..... | 20 |
| 4. Communication protocol..... | 22 |

1. Overview

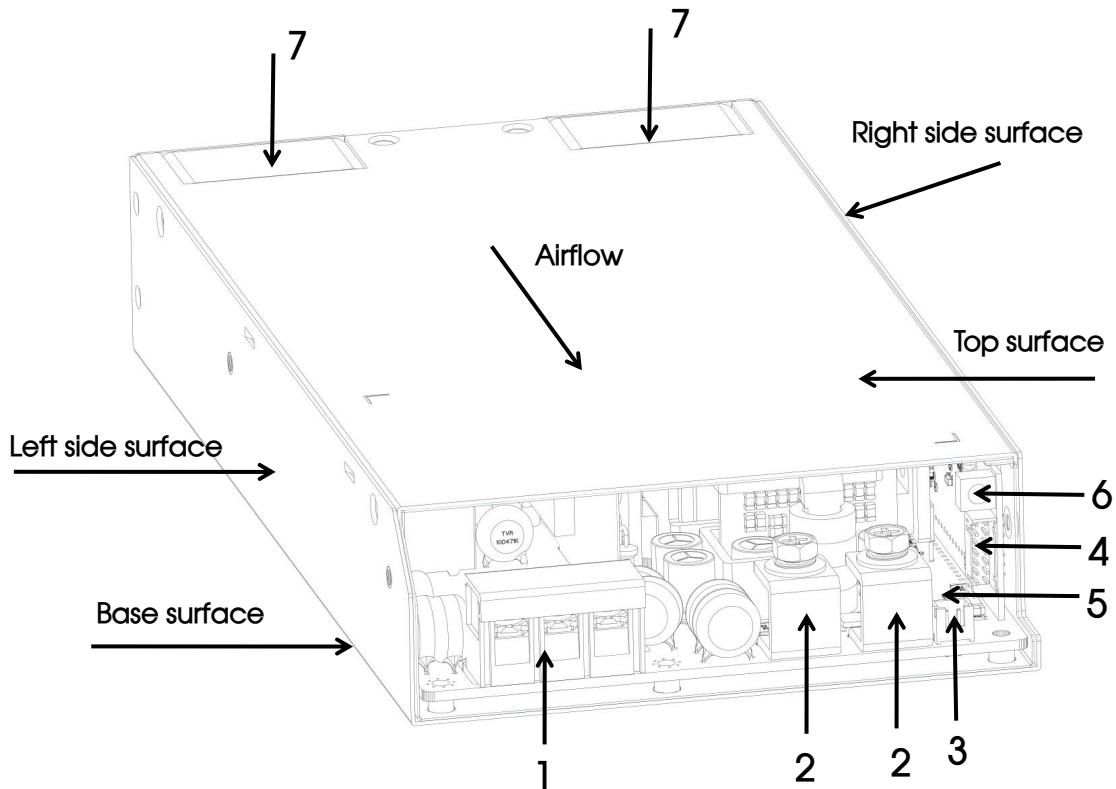


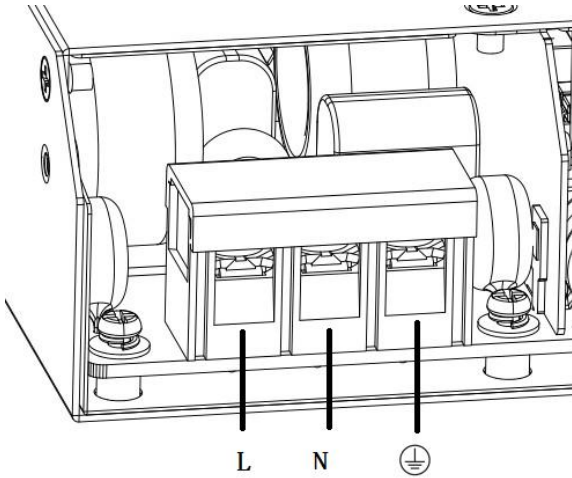
Fig. 1: Appearance information of LMF1500-20Bxx(-QQ)


Overview description:

1. AC/DC input terminal (J1)
2. DC main output terminal (J2, J3)
3. Auxiliary road output terminal (CON5)
4. Signal connection press the terminal (CN7)
5. Green and red status display LED lights
6. Output voltage regulation resistor
7. Fans

1.1 AC/DC input terminal block (J1)

The input terminal J1, as a standard 3-pin fence welding terminal with upper cover, the center spacing of the pins is 10mm.

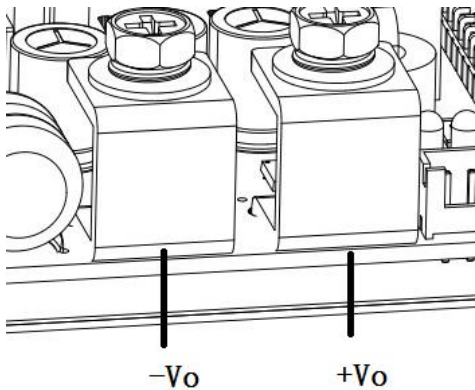


| Pin | Features |
|---|--------------|
| L | Line (Phase) |
| N | Neutral |
|  | Ground/Earth |

Wire size: 12-22AWG
Torque: 1.2N·m (max)

1.2 Main DC output terminal (J2, J3)

The output terminal uses two standard screw lock type metal terminals, the pin spacing between each is 18mm.

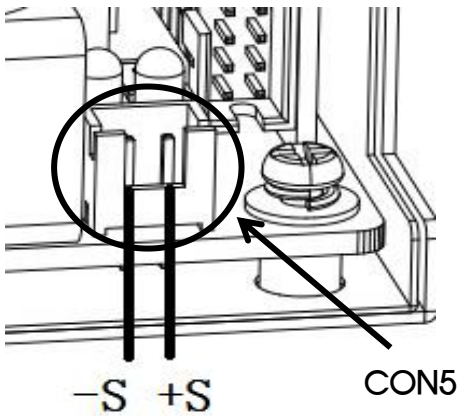


| Pin | Features |
|-----|---------------|
| +Vo | Main output + |
| -Vo | Main output - |

Torque: 2.3N·m

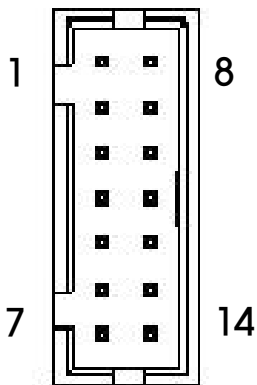
1.3 Auxilliary DC output terminal (CON5)

The auxilliary output terminal with a standard terminal of 2.5mm pitch.



| Pin | Function |
|-----|-----------------------|
| -S | Auxiliary DC output - |
| +S | Auxiliary DC output + |

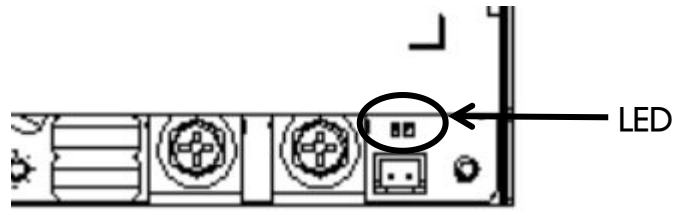
1.4 Signal port (CN7)



| Pin | Label | Features |
|-----|---------------|---------------------------------------|
| 1 | VS+ | Remote compensation positive terminal |
| 2 | CURRENT SHARE | Current sharing bus |
| 3 | DC_OK | DC_OK Signal |
| 4 | SCL | I2C communication line |
| 5 | SDA | I2C communication line |
| 6 | PS_ON | Remote control signal |
| 7 | GND | Signal terminal reference ground |
| 8 | VS- | Remote compensation negative terminal |
| 9 | ADDRESS0 | ADDRESS code 0 |
| 10 | ADDRESS1 | ADDRESS code 1 |
| 11 | ADDRESS2 | ADDRESS code 2 |
| 12 | RXD | Serial communication |
| 13 | TXD | Serial communication |
| 14 | GND | Signal terminal reference ground |

Note: The reference ground of all pins on the signal terminal is pin7 and pin14.

1.5 Green and red status display LED lights

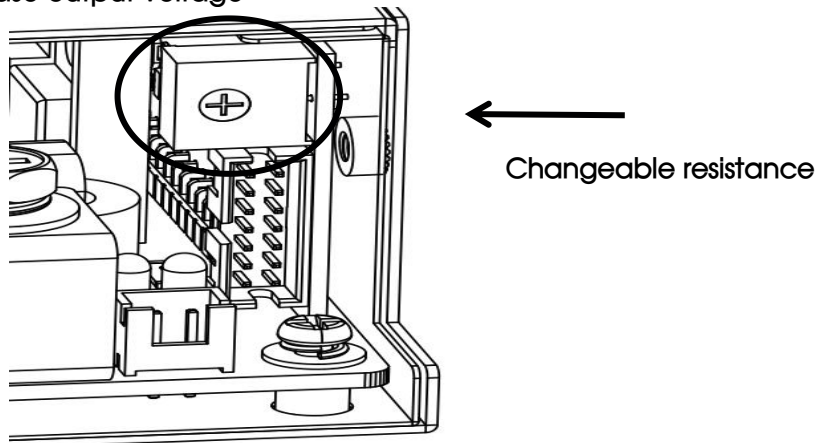


Two kinds of LED lights indicate difference working states of the power supply:

| Green LED | Red LED | Status |
|-----------|---------|------------------------------|
| ON | OFF | Normal work |
| OFF | ON | Main or auxiliary road alarm |
| OFF | OFF | No AC input |

1.6 Output voltage adjustment knob

Turn counterclockwise to increase output voltage



| Model | Rated Output Voltage | Adjustable Range Of Output Voltage |
|---------------|----------------------|------------------------------------|
| LMF1500-20B12 | 12V | 12 - 14.4V |
| LMF1500-20B15 | 15V | 15 - 18.0V |
| LMF1500-20B24 | 24V | 24 - 28.8V |
| LMF1500-20B27 | 27V | 27 - 32.4V |
| LMF1500-20B36 | 36V | 36 - 43.2V |
| LMF1500-20B48 | 48V | 48 - 56.0V |
| LMF1500-20B54 | 54V | 54 - 58.0V |

2. Function Manual

2.1 Input requirements

The AC input voltage and DC input voltage must be within the defined voltage range (refer to data-sheet), otherwise the power supply may not work properly or even malfunction. The internal L and N line of the power module have been connected in series with a 250V 25A fuse. For better protection, it is recommended that customers use a circuit breaker not greater than 25A (Non-mandatory requirement).

2.2 Output requirements

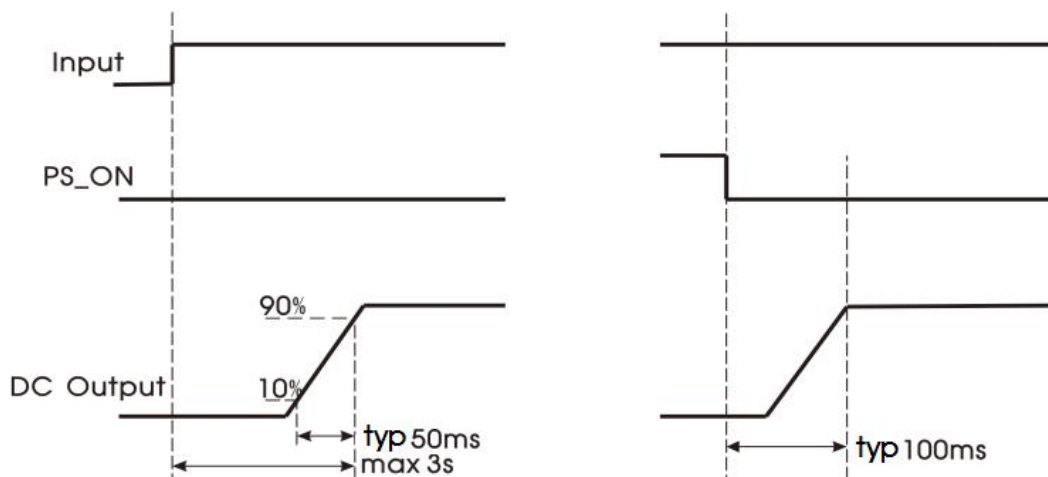
Main output

At any voltage value, the maximum output current and power must not exceed the rated/specified value. The output current must not exceed the maximum output current value.

Auxiliary output

The auxiliary circuit supports a maximum current of 2A.

2.3 Start-up timing



| Item | Operating Conditions | | Min. | Typ. | Max. | Unit |
|---------------------|--------------------------------|--------|------|------|------|------|
| Power-off Hold Time | Room temperature, full load | 115VAC | 12 | -- | -- | ms |
| | | 230VAC | 12 | -- | -- | |
| Start Delay Time | 230VAC, full load, 25°C | | -- | -- | 3 | s |

2.4 Fan speed control

Fan speed is determined by output power and output voltage at the same time, refer to the following curve for fan speed change.

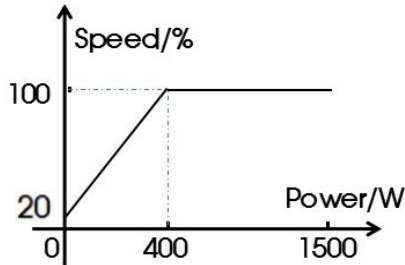


Fig.1

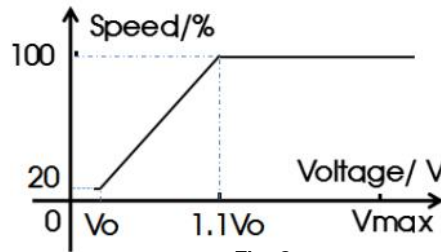


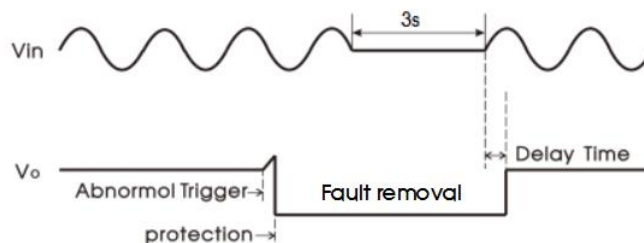
Fig.2

V_o : Rated output voltage

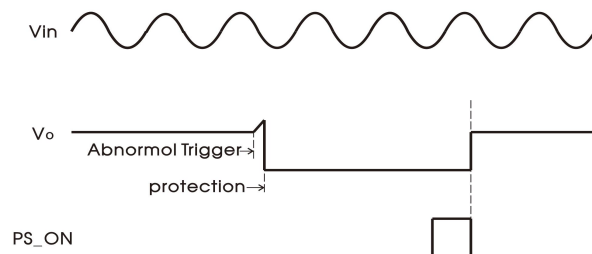
2.5 Output over-voltage protection (OVP)

Main output

The over-voltage protection function is to close the main output when the output voltage reaches the protection voltage value. When the main circuit over-voltage protection occurs, the main circuit output voltage of the module will be shut off, and the auxiliary circuit output will not be affected. The main circuit output can be restored after disconnecting the input power for at least 3 seconds.



In addition, it can be quickly restarted by the PS_ON signal:



Auxiliary output

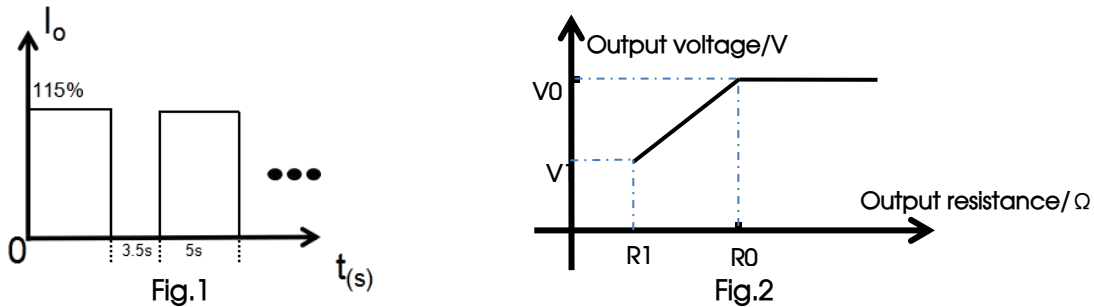
When the auxiliary circuit voltage reaches 6.3VDC (maximum value), the auxiliary output will be in hiccup status, and the main output voltage turn off until the auxiliary output returns to normal after the fault is eliminated.

2.6 Output constant-current protection (OCP)

① Main circuit overcurrent

If in CC load mode, when the current exceeds the constant current point, the output enters hiccup mode; when the over current state is released, the output returns to normal.

If in CR/CV load mode, the relationship among output current, voltage and resistance is shown in the following curve:



When the product enters the constant current state, the output state circulates as shown in Fig.1, working for 5S and protecting for 3.5S, until the constant current state is released.

In that above Fig.2 the slope corresponding to section R1-R2 is the output current corresponding to constant current. Generally, $V_1 \cong 75\%V_0$.

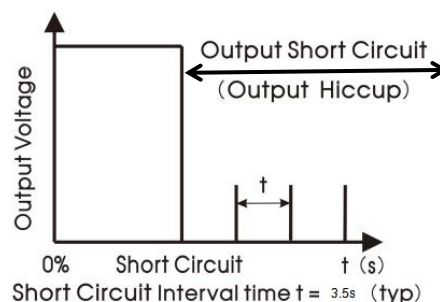
② Auxiliary circuit overcurrent

When the auxiliary output current exceeds 120% (typ.) of the rated current, turn off the main output. After the secondary route overflows, the main route automatically recovers output.

2.7 Output short circuit protection (SCP)

When the output is short-circuited, the power output in hiccup with interval 3.5s. After the short-circuit is removed, the power module will automatically return to normal, and the auxiliary output will not be affected.

When the auxiliary circuit output is short-circuited, the main circuit without output.



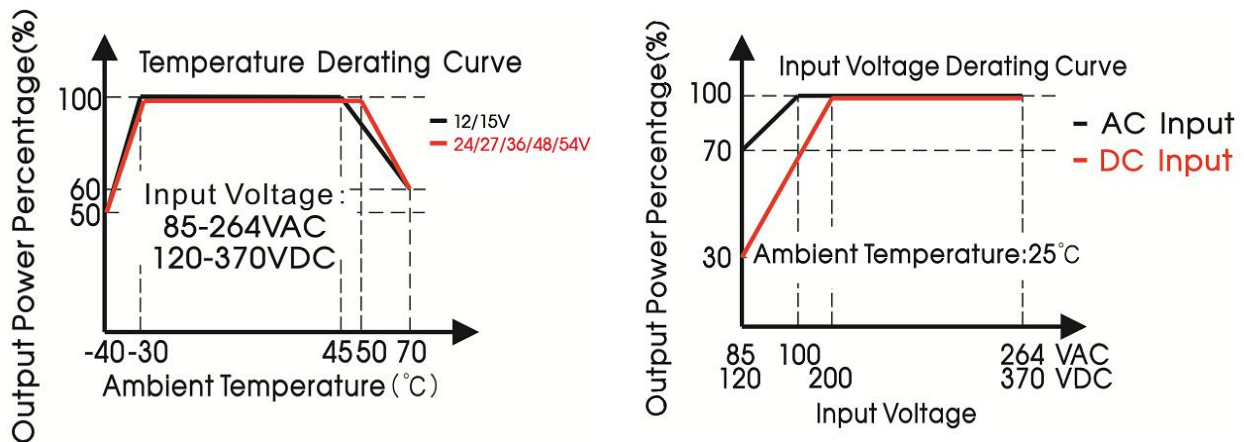
2.8 Over-temperature protection (OTP)

When the ambient temperature of the power supply exceeds the rated temperature for a period of time, the power supply will be turned off and the power supply will resume normal operation after the ambient temperature drops to the set value.

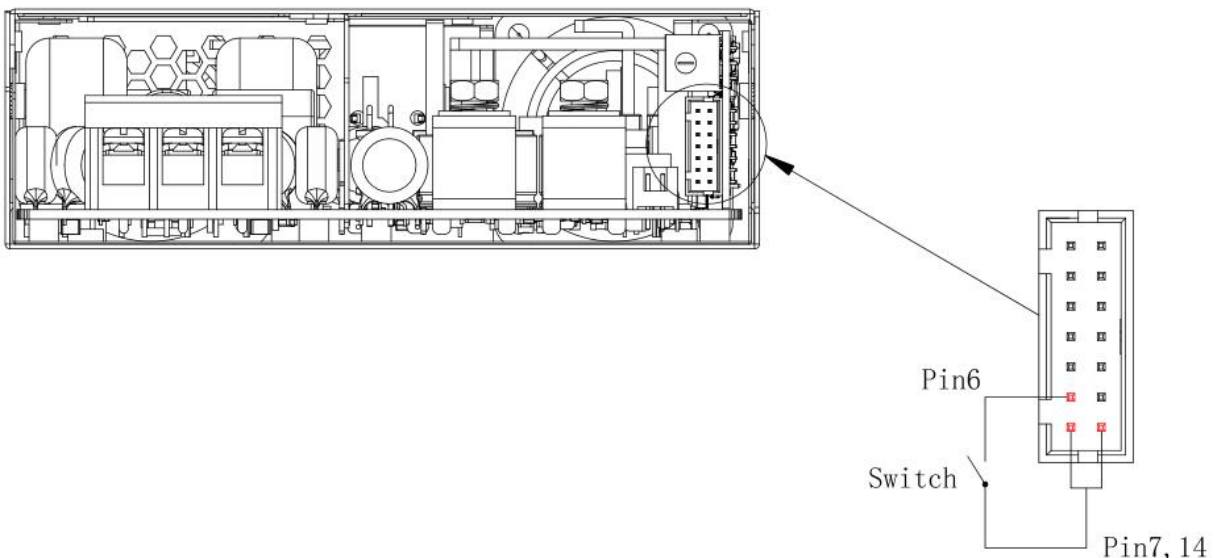
2.9 Output power derating

When the input voltage is greater than 100VAC (or 200VDC), only need to derate according to the temperature derating curve.

When the input voltage is lower than 100VAC (or 200VDC), the output power will be derated according to the following input voltage derating curve after temperature derating.



2.10 Remote control



| | |
|-------------------------------------|---------------|
| PS_ON (Pin6) and GND (Pin7or Pin14) | Output Status |
| Short-Circuit | Output on |
| Pin floating | Output off |

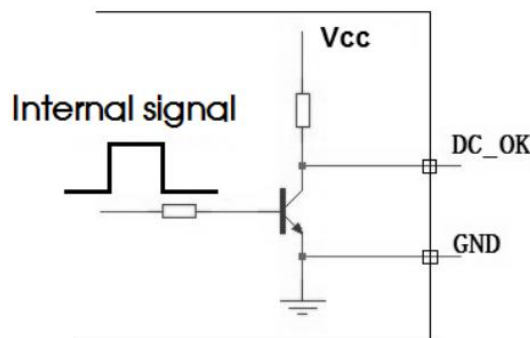
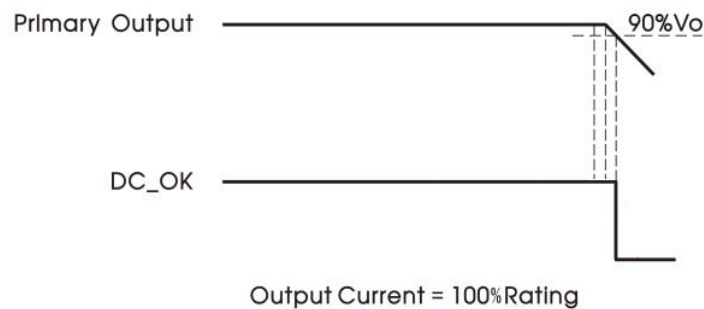
If the input terminal of the power module has been connected to a power source, the PS_ON signal pin can be used to control the on and off of the main output, and the PS_ON signal does not affect the output voltage of the auxiliary circuit.

Note: The internal PS_ON input impedance of the module is 5.1K.

2.11 DC_OK signal

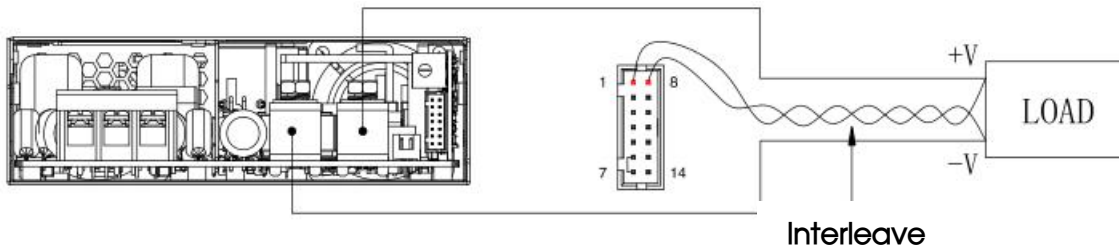
The DC_OK signal is used to monitor whether the power supply is working normally, and the signal is at Pin3 of the signal terminal CN7.

Note: When the DC_OK signal is connected to the external external circuit (i.e. between Pin3 and Pin7 or Pin14 of CN7) is not less than 10k Ω .



| | |
|--------------------------------------|--------------|
| DC_OK (Pin3) and GND (Pin7 or Pin14) | Output State |
| 2.5 - 5V | Output on |
| 0 - 0.5V | Output off |

2.12 Remote compensation



Note:

1. Vs+ and Vs- cannot be shorted or reversed, otherwise the power module will be damaged.
2. Before powering on the product, please confirm whether the control signal connection terminal (CN7) Pin6 (PS_ON) and Pin7 (GND) short-circuit jumper cap are connected. If not, the product without output. When the control signal connection terminal (CN7) of the product are external connected as a whole, please ensure that Pin6 and Pin7 (or Pin14) are short-circuit connected. Please refer to LMF1500-20Bxx(-QQ) Series Power Supply Application Notes: 2.10 Remote control.
3. Pin 1 and pin 8 of the signal terminal CN7 can compensate the voltage drop on the output cable.
4. The remote compensation circuit can compensate up to 200mV cable voltage drop. This voltage includes the sum of the cable drop connected to the output positive terminal and the output negative terminal.
5. If you need to use the remote compensation function, the signal pin needs to be connected with the load end with a twisted pair cable.

2.13 Parallel operation

2.13.1 Redundancy

The power module output can be connected in parallel to achieve redundancy, thereby improving system reliability. The maximum power of the redundant system needs to be derated to ensure that the redundant system can still meet the rated load requirements when a power supply module fails. The current common practice is to construct a redundant system by the N+1 method, that is, N+1 power supplies are connected in parallel, to support the maximum load current $N \cdot I_{omax}$, where I_{omax} is the rated output current of each power supply. For example, the rated output current of each power supply is 40A, and 3+1 units are connected in parallel to construct a $3 \cdot 40A = 120A$ redundant system.

The power module supports 3+1 parallel redundant operation.

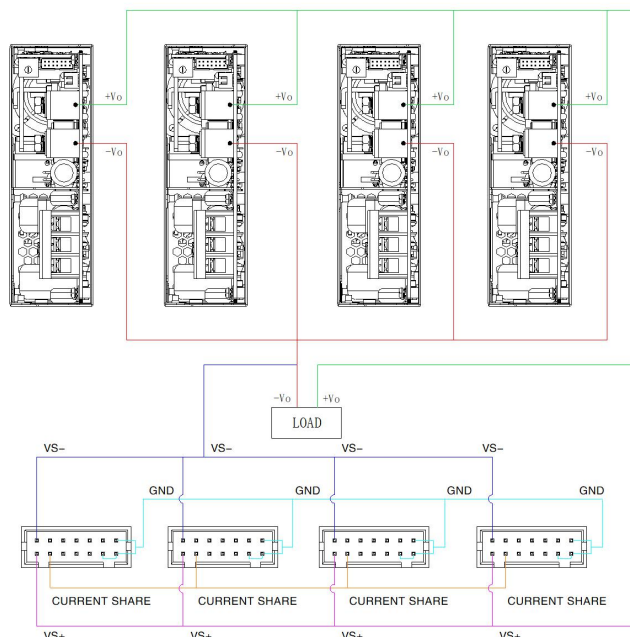
The ORing circuit is used inside the power module, and when any one of the power modules in the parallel fails, it will not affect the work of other power modules.

When used in parallel, the maximum load current cannot exceed the maximum output current of a single power supply module, otherwise the whole parallel power supply module will not start normally.

2.13.2 Current sharing

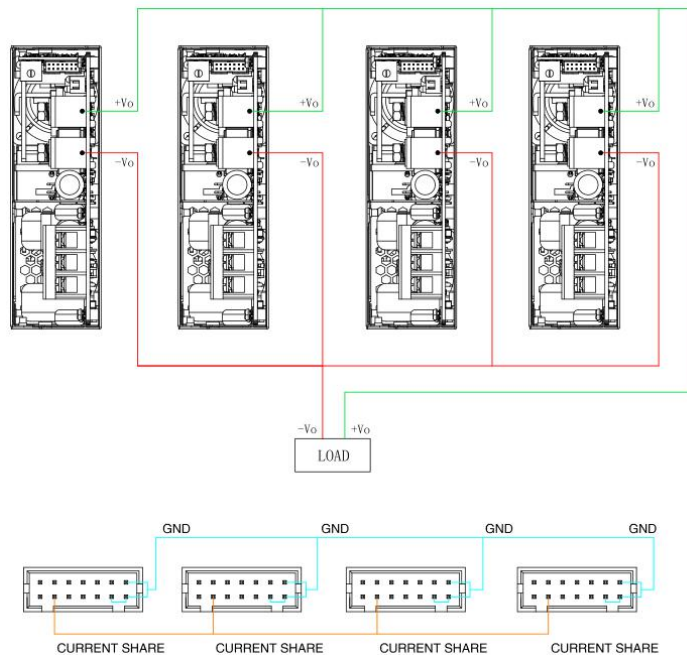
Method 1: Current sharing bus and remote compensation lines are both connected.

For load line loss $\leq 200mV$, and the output voltage difference of each single module $\leq 50mV$, this type of connection is recommended to obtain a better line-end output voltage and current sharing effect.



Method 2: Only the current sharing bus is connected, and the remote compensation is not connected.

For the load line loss $\geq 200\text{mV}$, or the output voltage difference of each single module cannot or does not need to be accurately adjusted to $\leq 50\text{mV}$, this type of connection is recommended to obtain a better current sharing effect of the parallel machine. In the same way, when the load loss is unknown or the current sharing fails to meet the specifications under the first connection method, it is recommended to replace it with this connected method. The wiring method of the current sharing function is shown in the figure below:



Note: 1. When using in parallel, the number of parallel modules cannot exceed 4.

2. Before powering on the product, please confirm whether the control signal connection terminal (CN7) Pin6 (PS_ON) and Pin7 (GND) short-circuit jumper cap are connected. If not, the product without output. When the control signal connection terminal (CN7) of the product are external connected as a whole, please ensure that Pin6 and Pin7 (or Pin14) are short-circuit connected. Please refer to LMF1500-20Bxx(-QQ) Series Power Supply Application Notes: 2.10 Remote control.

When power modules work in parallel, there is an internal active current sharing circuit to ensure that the current between each module is balanced.

The active current sharing circuit adopts the automatic master-slave current sharing method. Each power module has a current sharing bus signal (CURRENT SHARE BUS). When working in parallel, the current sharing bus of all power modules must be connected together. The current-sharing bus signal is located at pin 2 of CN7.

The output voltage of each power module will affect the current sharing accuracy. The output voltage of the power module is the rated voltage $\pm 50\text{mV}$. In practical applications, if the output voltage value needs to be adjusted, the output voltage of all parallel power supply modules needs to be adjusted to the same voltage. The recommended voltage range: target voltage value $\pm 50\text{mV}$

After the output load of each power module is greater than 50% of the rated load, the current sharing accuracy should be $\pm 5\%$. The current sharing calculation formula is:

$$\text{Current sharing accuracy} = \frac{I_{o \max} - I_{o \min}}{I_{o \max}} * 100\%$$

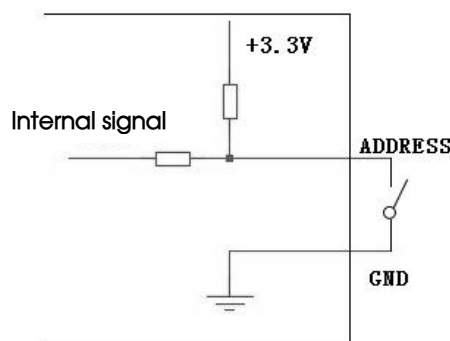
$I_{o \max}$: the maximum output current value in parallel power supply modules.

$I_{o \min}$: the minimum output current value in parallel power supply modules.

2.14 I2C communication address

In the parallel system, if you need to identify the power module information, you need to set the I2C communication address for each parallel power module, and exchange data with the host computer through I2C. The setting of the communication address is determined by pins 9, 10 and 11 of the signal terminal CN7. When these three pins are short-circuited with pin 7 or 14 of CN7, it will be low level (L, voltage range: 0 - 1.31V). When disconnected, it is high level (H, voltage range: 1.99V - 3.3V). The specific address number is shown in the table below:

| ADDRESS 2 | ADDRESS 1 | ADDRESS 0 | Address number |
|-----------|-----------|-----------|----------------|
| L | L | L | 0 |
| L | L | H | 1 |
| L | H | L | 2 |
| L | H | H | 3 |
| H | L | L | 4 |
| H | L | H | 5 |
| H | H | L | 6 |
| H | H | H | 7 |



The internal pull-up resistance value of the power module is $10\text{k}\Omega$, and the external impedance can be matched according to the actual application to meet the high and low voltage range.

3. Installation requirements

3.1 Safety introduction

Warning: Risk of electric shock

During high voltage operating

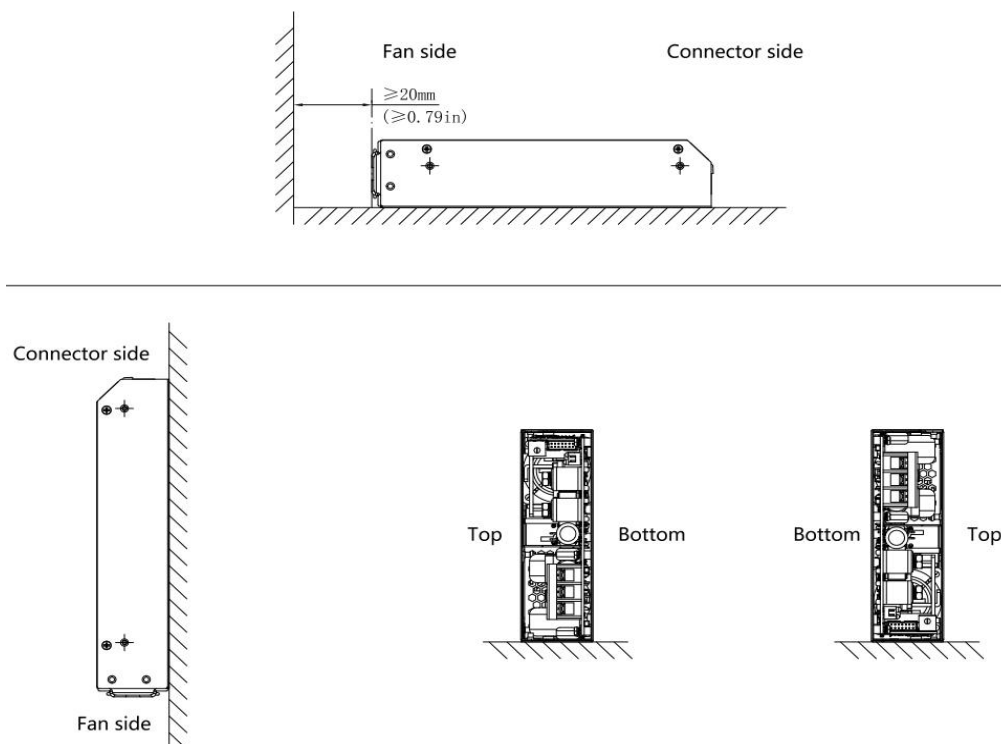
- The power supply module is disconnected from the input DC or the AC power and placed for at least one minute before starting to operate it.
- When installing the input wire to the power module, please connect the ground terminal first, and then connect the L line and the N line.
- When removing the input wire, please remove the L wire and the N wire first, and then remove the ground wire.
- When disassembling, make sure that no objects fall into the power module.
- Pay attention to high temperature.
- After the power module is working in a high temperature environment, wait for its shell to cool down before operating.
- This product needs to be installed by professionals and needs to be used with other equipment.

3.2 Safety requirements

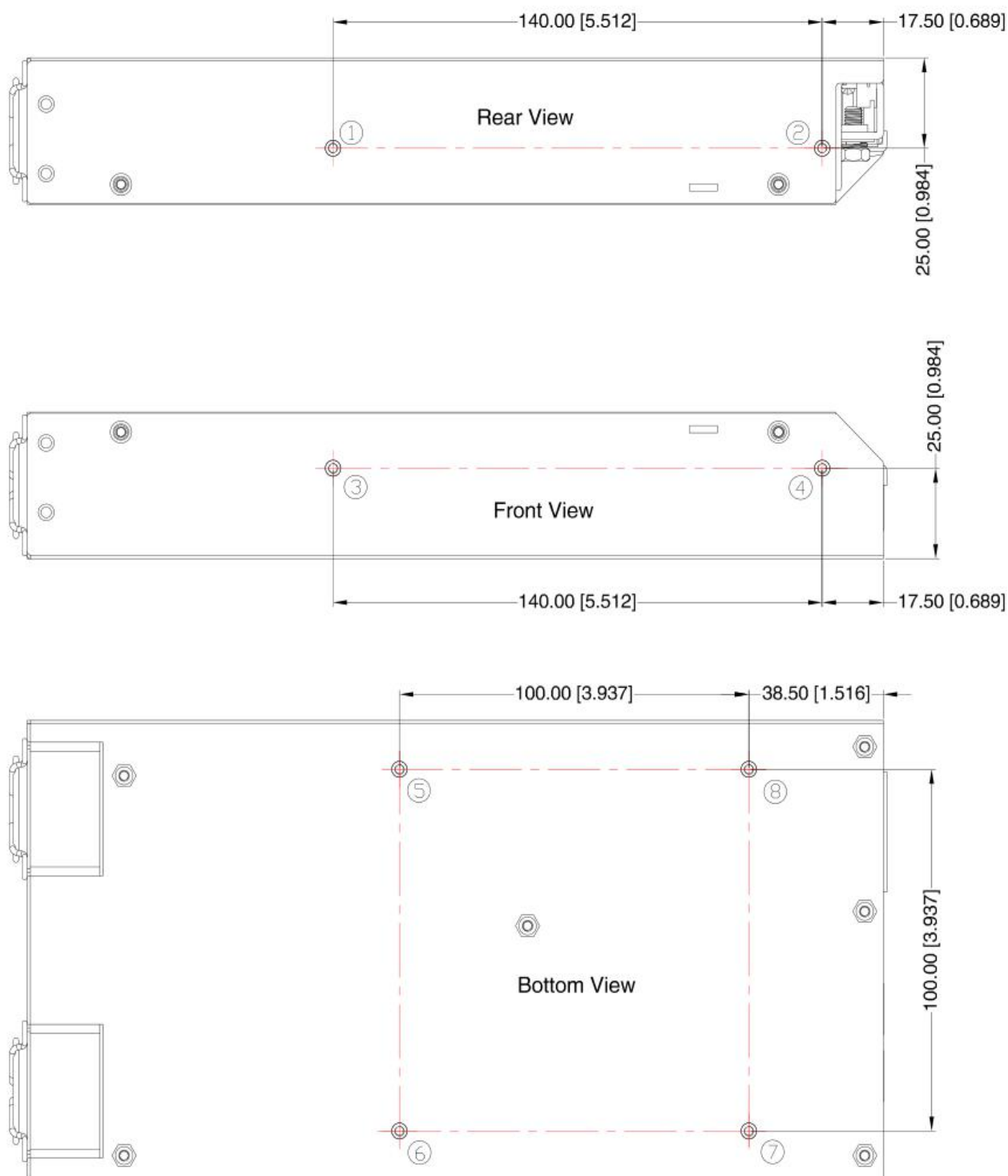
When installing, pay attention to the primary side and the protective ground, the creep distance and the electrical clearance of the primary side and the secondary side refer to EN60601-1.

3.3 Installation method

Standard mounting orientation:



Position of mounting holes:



Note: The fan panel cannot be blocked by other objects, and a distance of at least 20mm must be maintained, otherwise it will affect the heat dissipation and performance of the power module.

4. Communication protocol

The LMF1500-20Bxx(-QQ) series power modules support standard communication protocols and manage and monitor the power modules through I2C bus.

| Command Code | Command Name | Access Type | Data Bytes | Data Format | Description |
|--------------|-------------------|-------------|------------|-------------|------------------------------------|
| 0x9A | PMB_MFR_MODEL | Block Read | 32 | ASCII | Product model |
| 0x8B | PMB_READ_VOUT | Read Word | 2 | Direct | Main circuit output voltage (10mV) |
| 0x8C | PMB_READ_IOUT | Read Word | 2 | Direct | Main output current (10mV) |
| 0x96 | PMB_READ_POUT | Read Word | 2 | Direct | Main output power (10mV) |
| 0xC4 | PMB_MFR_AUX_VOUT | Read Word | 2 | Direct | Auxiliary output Voltage (10mV) |
| 0xC5 | PMB_MFR_AUX_IOUT | Read Word | 2 | Direct | Auxiliary output current (10mV) |
| 0xC7 | PMB_MFR_FAULT_BIT | Read Word | 2 | Bit Field | Fault status word |

| Describe Of Fault Status Through PMB_MFR_FAULT_BIT | |
|--|--|
| Bit Segment | Description |
| BIT: 0 | 0: Fan 1 normal 1: Fan 1 fault |
| BIT: 1 | 0: Fan 2 normal 1: Fan 2 fault |
| BIT: 2 | 0: Auxillary output normal 1: Auxillary output abnormal |
| BIT: 3 | 0: No over-voltage in main circuit 1: Over-voltage in main circuit |
| BIT: 4 | 0: No under-voltage in main circuit 1: Under-voltage in main circuit |
| BIT: 5 | 0: No level 1 over-current in main circuit 1: Level 1 over-current in main circuit |
| BIT: 6 | 0: No level 2 over-current in main circuit 1: level 2 over-current in main circuit |
| BIT: 7 | 0: No level 1 over-load in main circuit 1: Level 1 over-load in main circuit |
| BIT: 8 | 0: No level 2 over-load in main circuit 1: Level 2 over-load in main circuit |
| BIT: 9 | 0: No level 3 over-load in main circuit 1: Level 3 over-load in main circuit |
| BIT: 10 | 0: Normal temperature 1: Over-temperature and over-load |
| BIT: 11 | 0: No short circuit in main circuit 1: Short circuit in main circuit |
| BIT: 12 | 0: No hardware over-voltage in main circuit 1: Main circuit hardware over-voltage fault |
| BIT: 13 | 0: No hardware under-voltage in main circuit 1: Main circuit hardware under-voltage fault |
| BIT: 14 | 0: Pre-charge normal 1: Pre-charge fault |
| BIT: 15 | 0: PFC soft start normal 1: PFC soft start fault |

For more details, please consult the MORNSUN FAE.