



■ Features :

- Built-in active PFC function
- Constant current design
- Protections: Short circuit / Over temperature
- Cooling by free air convection
- Fully isolated plastic case
- IP42 design
- Class II power unit, no FG
- Suitable for LED related fixture or appliance (such as LED Decoration or Advertisement devices)
- 100% full load burn-in test
- Low cost
- High reliability
- 3 years warranty



IS 15885(Part 2)Sec13)

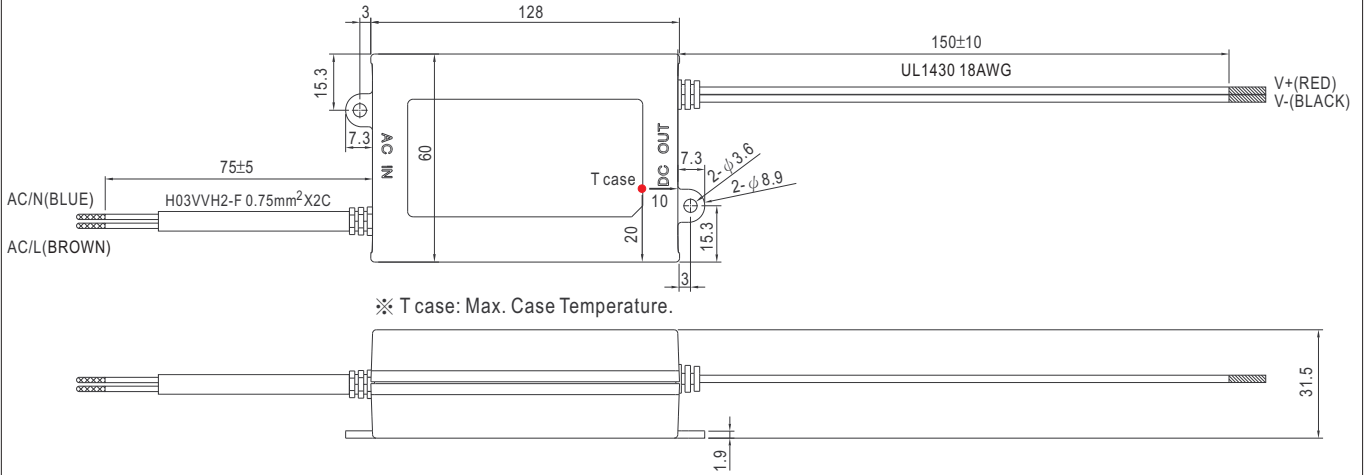


SPECIFICATION

| MODEL           | PLD-40-350B  | PLD-40-500B  | PLD-40-700B | PLD-40-1050B | PLD-40-1400B | PLD-40-1750B |          |
|-----------------|--|--|-------------|--------------|--------------|--------------|----------|
| OUTPUT          | RATED CURRENT  | 350mA  | 500mA       | 700mA        | 1050mA       | 1400mA       | 1750mA   |
|                 | OPERATING VOLTAGE RANGE  | 70 ~ 108V  | 45 ~ 80V    | 34 ~ 57V     | 22 ~ 38V     | 17 ~ 29V     | 13 ~ 23V |
|                 | CURRENT ACCURACY   | ±5.0%  |             |              |              |              |          |
|                 | RATED POWER  | 37.8W  | 40W         | 39.9W        | 39.9W        | 40.6W        | 40.25W   |
|                 | RIPPLE & NOISE (max.) Note.1   | 9.5Vp-p  | 5.0Vp-p     | 3.1Vp-p      | 2.6Vp-p      | 2.5Vp-p      | 2.4Vp-p  |
|                 | NO LOAD OUTPUT VOLTAGE (max.)  | 118V   | 100V        | 63V          | 50V          | 35V          | 35V      |
| SETUP TIME      | 500ms / 230VAC at full load  |  |             |              |              |              |          |
| INPUT           | VOLTAGE RANGE  | 180~295VAC   |             |              |              |              |          |
|                 | FREQUENCY RANGE  | 47 ~ 63Hz  |             |              |              |              |          |
|                 | POWER FACTOR (Typ.)  | PF>0.9/230VAC, PF>0.9/277VAC at full load (Please refer to "Power Factor Characteristic" curve)  |             |              |              |              |          |
|                 | TOTAL HARMONIC DISTORTION  | THD< 20% when output loading≥60%(PLD-40-350B loading≥65%)at 230VAC input and output loading≥75% at 277VAC input                          |             |              |              |              |          |
|                 | EFFICIENCY (Typ.)  | 88%  | 88%         | 87%          | 87%          | 86%          | 86%      |
|                 | AC CURRENT (Typ.)  | 0.35A/230VAC   |             | 0.3A/277VAC  |              |              |          |
|                 | INRUSH CURRENT(Typ.)   | COLD START 25A (twidth=60μs measured at 50% Ipeak) at 230VAC   |             |              |              |              |          |
|                 | MAX. No. of PSUs on 16A CIRCUIT BREAKER  | 47 units (circuit breaker of type B) / 47 units (circuit breaker of type C) at 230VAC  |             |              |              |              |          |
| LEAKAGE CURRENT | <0.5mA / 240VAC  |  |             |              |              |              |          |
| PROTECTION      | SHORT CIRCUIT  | Hiccup mode, recovers automatically after fault condition is removed.  |             |              |              |              |          |
|                 | OVER TEMPERATURE   | Shut down o/p voltage, auto-recovery   |             |              |              |              |          |
| ENVIRONMENT     | WORKING TEMP.  | -30 ~ +50°C (Refer to "Derating Curve")  |             |              |              |              |          |
|                 | WORKING HUMIDITY   | 20 ~ 95% RH non-condensing   |             |              |              |              |          |
|                 | STORAGE TEMP., HUMIDITY  | -40 ~ +80°C, 10 ~ 95% RH   |             |              |              |              |          |
|                 | TEMP. COEFFICIENT  | ±0.03%/°C (0 ~ 50°C)   |             |              |              |              |          |
|                 | VIBRATION  | 10 ~ 500Hz, 2G 12min./1cycle, period for 72min. each along X, Y, Z axes  |             |              |              |              |          |
| SAFETY & EMC    | SAFETY STANDARDS   | ENEC BS EN/EN61347-1, BS EN/EN61347-2-13 independent, BS EN/EN62384, BIS IS15885(for 350B,700B,1050B only), EAC TP TC 004, IP42 approved |             |              |              |              |          |
|                 | WITHSTAND VOLTAGE  | I/P-O/P:3.75KVAC   |             |              |              |              |          |
|                 | ISOLATION RESISTANCE   | I/P-O/P:100M Ohms / 500VDC / 25°C / 70% RH   |             |              |              |              |          |
|                 | EMC EMISSION   | Compliance to BS EN/EN55015, BS EN/EN61000-3-2 Class C ; BS EN/EN61000-3-3, EAC TP TC 020  |             |              |              |              |          |
|                 | EMC IMMUNITY   | Compliance to BS EN/EN61000-4-2,3,4,5,6,8, 11, BS EN/EN61547, light industry level(Surge 2KV), criteria B, EAC TP TC 020                 |             |              |              |              |          |
| OTHERS          | MTBF   | 865.176Khrs min. MIL-HDBK-217F (25°C)  |             |              |              |              |          |
|                 | DIMENSION  | 128*60*31.5mm (L*W*H)  |             |              |              |              |          |
|                 | PACKING  | 0.22Kg;30pcs/7.6Kg/0.58CUFT  |             |              |              |              |          |
| NOTE            | <p>1. Ripple &amp; noise are measured at 20MHz of bandwidth by using a 12" twisted pair-wire terminated with a 0.1uf &amp; 47uf parallel capacitor.</p> <p>2. Direct connecting to LEDs is suggested, but is not suitable for using additional drivers.</p> <p>3. To fulfill requirements of the latest ErP regulation for lighting fixtures, this LED power supply can only be used behind a switch without permanently connected to the mains.</p> <p>4. The ambient temperature derating of 3.5°C/1000m with fanless models and of 5°C/1000m with fan models for operating altitude higher than 2000m(6500ft).</p> <p>5. For any application note and IP water proof function installation caution, please refer our user manual before using.<br/> <a href="https://www.meanwell.com/Upload/PDF/LED_EN.pdf">https://www.meanwell.com/Upload/PDF/LED_EN.pdf</a></p> <p>※ Product Liability Disclaimer : For detailed information, please refer to <a href="https://www.meanwell.com/serviceDisclaimer.aspx">https://www.meanwell.com/serviceDisclaimer.aspx</a></p> |  |             |              |              |              |          |

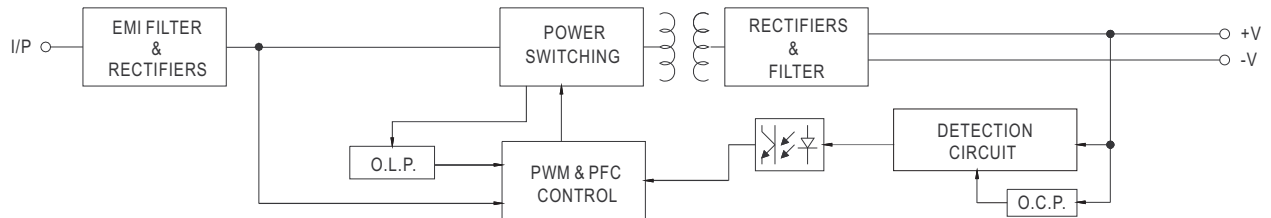
**Mechanical Specification**

Case No.:PCD40A Unit:mm

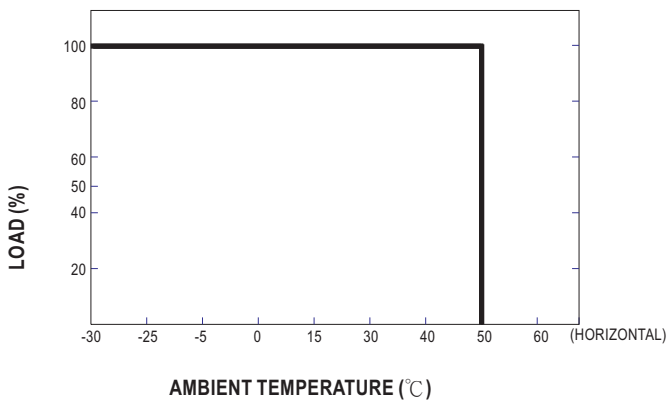


**Block Diagram**

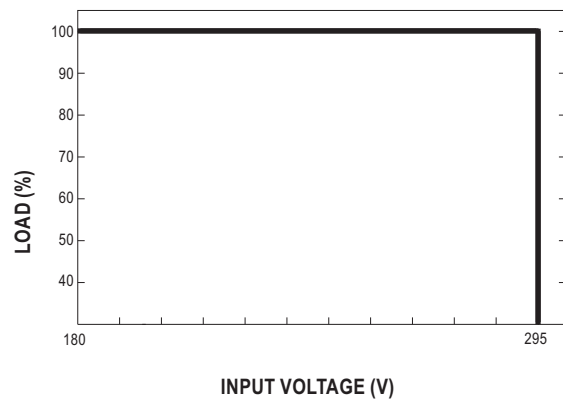
fosc :60KHz(230VAC)



**Derating Curve**

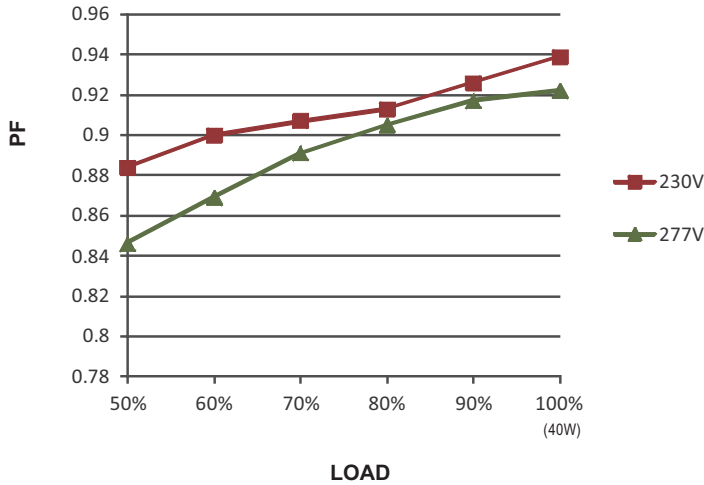


**Static Characteristics**



■ Power Factor Characteristic

Constant Current Mode



■ EFFICIENCY vs LOAD (PLD-40-500B)

PLD-40 series possess superior working efficiency that up to 88% can be reached in field applications.

