



# Telecom Relay TRQ2

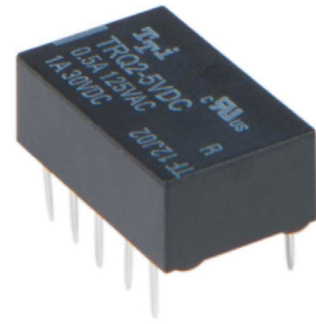
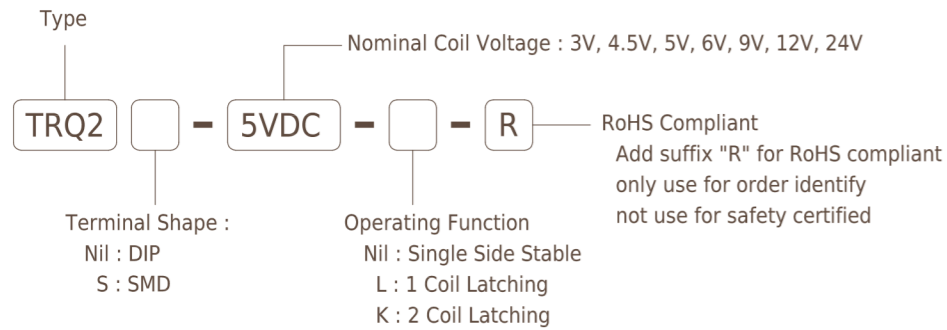
## MAIN FEATURES

- DIL Pitch Terminals High Sensitivity: 0.14W Nominal Power.
- Conforms to FCC Part 68 1.5KV Surge and Dielectric 1000VAC.
- Monostable or bistable relays Single and double Coil magnet latching Type available.
- Contact arrangement: 2 Form C
- UL & cUL recognized.

## APPLICATIONS

- Telecommunication Equipment, Office Equipment, Security Alarm Systems, Measuring instruments, Medical Monitoring Equipment, Audio Visual Equipment, Flight Simulator, Sensor Control.

## ORDERING INFORMATION



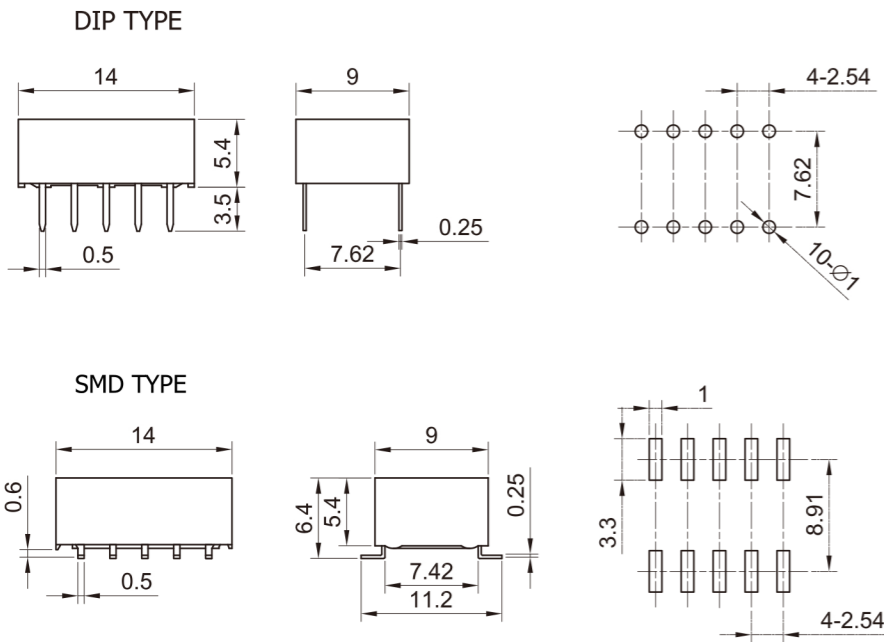
## COIL DATA CHART(at 20°C )

Coil	Coil Voltage Rated (VDC)	Nominal Current (mA)	Coil Resistance (Ω ±10%)	Coil Power (W)	Pickup voltage (VDC) Max. (75% of rated voltage)	Release voltage (VDC) Min. (10% of rated voltage)	Coil Voltage (VDC) Max.
Single Side Stable	3	46.7	64.3	0.14	2.25	0.3	4.5
	4.5	31.0	145	0.14	3.38	0.45	6.7
	5	28.1	178	0.14	3.75	0.5	7.5
	6	23.4	257	0.14	4.50	0.6	9.0
	9	15.5	579	0.14	6.75	0.9	13.5
	12	11.7	1028	0.14	9.00	1.2	18.0
1 Coil Latching	24	8.3	2880	0.20	18.0	2.4	36.0
	3	33.3	90	0.10	2.25	-2.25	4.5
	4.5	22.1	203	0.10	3.38	-3.38	6.7
	5	20.0	250	0.10	3.75	-3.75	7.5
	6	16.7	360	0.10	4.50	-4.50	9.0
	9	11.1	810	0.10	6.75	-6.75	13.5
2 Coil Latching	12	8.3	1440	0.10	9.00	-9.00	18.0
	24	6.3	3840	0.15	18.0	-18.0	36.0
	3	66.7	45	0.20	2.25	2.25	4.5
	4.5	44.5	101	0.20	3.38	3.38	6.7
	5	40.0	125	0.20	3.75	3.75	7.5
	6	33.3	180	0.20	4.50	4.50	9.0
2 Coil Latching	9	22.2	405	0.20	6.75	6.75	13.5
	12	16.7	720	0.20	9.00	9.00	18.0
	24	12.5	1920	0.30	18.0	18.0	36.0

## CONTACT RATING

Item	TRQ2
Contact Capacity Resistive Load (cosφ=1)	1A/30VDC, 0.5A/125VAC
Rated Carrying Current	1A
Max. Switching Voltage	110VDC, 125VAC
Max. Switching Current	1A
Max. Switching Power Force	30W, 62.5VA
Referenced Min. Applicable Load	10mA resistive at 10mVDC
Contact Material	Silver Alloy

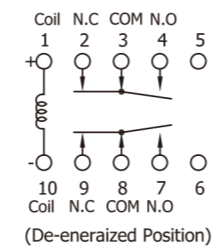
## DIMENSION(unit:mm)



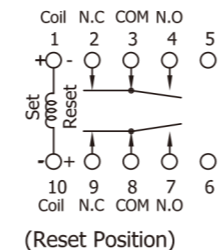
## DRILLING(unit:mm)

## WIRING DIAGRAM

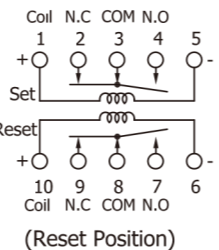
### Single Side Stable



### 1 Coil Latching



### 2 Coil Latching



## PERFORMANCE(at initial value)

Item	TRQ2
Contact Resistance	100mΩ Max. at initial
Operation Time	Approx. 5msec
Release Time	Approx. 5msec
Dielectric Strength	Between open contacts 750VAC (1 minute) Between coil & contact 1000VAC (1 minute) Between Contacts Poles 1000VAC (1 minute)
Surge Withstand Voltage	Between open Contacts 1500V Between coil & Contacts 1500V Between Contacts Poles 2500V
Shock Resistance	Functional 490m/s <sup>2</sup> Survival 980m/s <sup>2</sup>
Vibration Resistance	Functional 3mm D.A. 10 to 55Hz Destructive 5mm D.A. 10 to 55Hz
Terminals resistance	5N
Solderability	235°C± 2°C, 3 ± 0.5s
Temperature Range	-40°C~ 70°C ( -40°F ~ 158°F )
Insulation Resistance	1000 MΩ Min. (at 500VDC)
Life Expectancy	Mechanically 1 × 10 <sup>8</sup> ops. Min. (no load) Electrically 2 × 10 <sup>5</sup> ops. Min. (1A/30VDC) 1 × 10 <sup>3</sup> ops. Min. (0.5A/125VDC)
Weight	Abt. 1.5g.
UL & cUL	E156521

Only for reference, won't notify if any change.

1.Tolerance ±0.5mm on all dimensions unless otherwise stated.  
2. Tolerance ±0.1mm on PCB DRILLING dimension unless otherwise stated.