

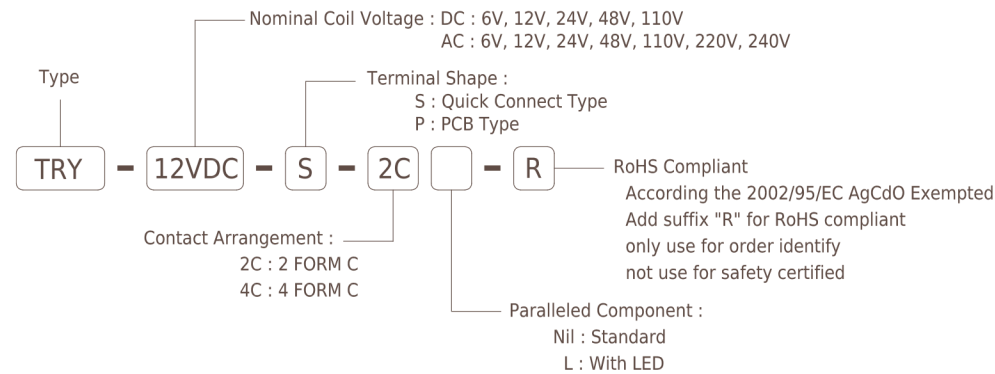
## MAIN FEATURES

- Long life and high reliability
- Strong construction for vibration and shock
- Approximately thousands for kinds are available depending on the combination of terminals, covers, contact ratings, coil etc.
- Molded material : All UL 94V-0
- UL & cUL recognized.

## APPLICATIONS

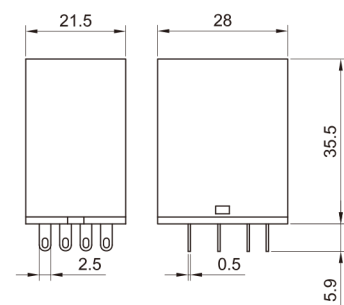
Power station control equipments	Coil operated machines
Transportations	Building control equipments
Refrigerators	Medical equipments
Coil operated machines	Amusement devices, etc.

## ORDERING INFORMATION

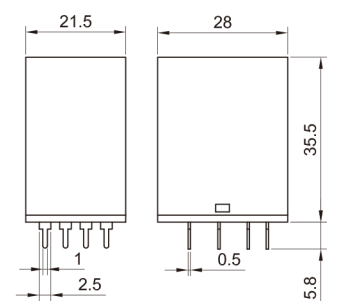


## DIMENSION(unit:mm)

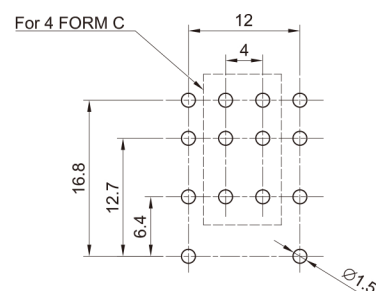
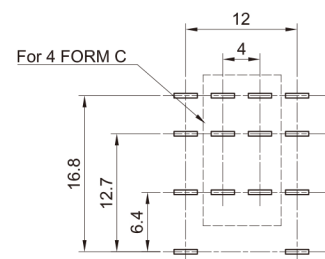
### Quick Connect Type



### PCB Type

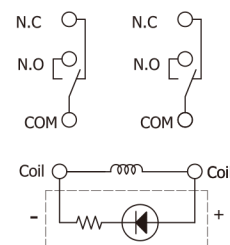


## DRILLING(unit:mm)



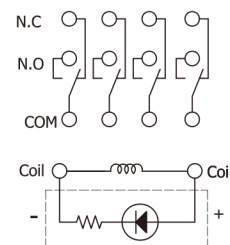
## WIRING DIAGRAM

### 2 From C



(De-energized Position)

### 4 From C



(De-energized Position)

## COIL DATA CHART(at 20°C )

Nominal Voltage	Pick-Up voltage	Drop-out voltage	Nominal current	Coil resistance	Power consumption	Max. allowable voltage
AC Type (at 20°C)						
VAC	80% of rated voltage	30% of rated voltage	mA(+15%,-20%)	Ω(±10%)	(VA)	(VAC)
6	4.8	1.8	200	11.5	Approx. 1.2A	110% of nominal voltage
12	9.6	3.6	100	46		
24	19.2	7.2	50	184		
48	38.4	14.4	25	735		
110	88	33	11	3750		
120	96	36	10	4550±15%		
220/240	176/192	66/72	5	14400±15%		
DC Type (at 20°C)						
VDC	80% of rated voltage	10% of rated voltage	mA(±10%)	Ω(±10%)	(W)	(VDC)
6	4.8	0.6	150	40	Approx. 0.9W	110% of nominal voltage
12	9.6	1.2	75	160		
24	19.2	2.4	36.9	650		
48	38.4	4.8	18.5	2600		
110	88	11	10	11000		

## CONTACT RATING

Item	TRY -2C (DPDT)	TRY -4C (4PDT)
Contact Capacity	10A 220VAC	5A 220VAC
Resistive load (cosΦ=1)	10A 28VDC	5A 28VDC
Max. switching voltage	220VAC, 28VDC	
Max. switching current	10A	5A
Max. switching power	2200VA/280W	1100VA/140W
Min. permissible load	5VDC 100mA	
Contact material	AgCdO	

## PERFORMANCE(at initial value)

Item	TRY
Contact Resistance	Max. 100mΩ
Operation time (at nominal voltage)	Max. 25msec
Release time (at nominal voltage)	Max. 25msec
Operating frequency	20ops/minute
Insulation resistance	Min. 100MΩ (at 500VDC)
Vibration resistance	Functional : 6G 10 to 55 Hz, at double amplitude of 1mm Destructive : 12G 10 to 55 Hz, at double amplitude of 2mm
Shock resistance	Functional : Min, 20G Destructive : Min, 100G
Dielectric strength	1500VAC. for 1minute between coil and contact. 750VAC. for 1minute between contact sets. 750VAC. for 1minute between open contacts.
Ambient temperature	-40°C to +70°C
Humidity	40 to 85% RH
Life expectancy	Mechanical : 1 x 10 <sup>7</sup> operations Electrical : 2 x 10 <sup>5</sup> operations (at rated load)
Weight	abt 37g.
UL & cUL	E156521

1. Tolerance ±0.5mm on all dimensions unless otherwise stated.  
2. Tolerance ±0.1mm on PCB DRILLING dimension unless otherwise stated.