

3W isolated DC-DC converter in DIP/SMD package
Ultra-wide input and regulated single output



FEATURES

- Ultra-wide input voltage range
- High efficiency up to 82%
- No-load power consumption as low as 0.1W
- I/O Isolation test voltage 500VAC / 1500VDC
- Operating ambient temperature range:
-40°C to +85°C
- Input under-voltage protection, output short-circuit, over-current, over-voltage protection
- Optional package: DIP/SMD
- 6.8mm ultra-thin package

U/VRB_J(M)T/D-3W series are isolated 3W DC-DC converter products have an ultra-wide input voltage and feature efficiencies of to 82%, input to output isolation is tested with 500VAC / 1500VDC, input under-voltage protection, output short-circuit, over-current, over-voltage protection and they are widely used in applications such as industrial control, electricity, instruments and communication fields.

Selection Guide

Certification	Part No. ①	Input Voltage (VDC)		Output		Full Load Efficiency ^③ (%) Min./Typ.	Capacitive Load (μF)Max.
		Nominal (Range)	Max. ^②	Voltage(VDC)	Current (mA) Max./Min.		
EN/BS EN	VRB0505J(M)T/D-3W	5 (4.5-9)	12	5	600/0	70/72	470
	VRB0512J(M)T/D-3W			12	250/0	74/76	220
	VRB0515J(M)T/D-3W			15	200/0	75/77	100
	VRB0524J(M)T/D-3W			24	125/0	74/76	47
	URB2403J(M)T/D-3W	24 (9-36)	40	3.3	600/0	70/72	1000
	URB2405J(M)T/D-3W			5	600/0	75/77	1000
	URB2412J(M)T/D-3W			12	250/0	79/81	470
	URB2415J(M)T/D-3W			15	200/0	80/82	330
	URB2424J(M)T/D-3W			24	125/0	79/81	100

Notes:

- ① U/VRBxxxJ(M)D/T-3W contains 4 types of products, include U/VRBxxxJD-3W (DIP package without case), U/VRBxxxJMD-3W (DIP package with case), U/VRBxxxJT-3W (SMD package without case) and U/VRBxxxJMT-3W (SMD package with case);
- ② Exceeding the maximum input voltage may cause permanent damage;
- ③ Efficiency is measured in nominal input voltage and rated output load.

Input Specifications

Item	Operating Conditions	Min.	Typ.	Max.	Unit
Input Current (full load / no-load)	Nominal input voltage	5VDC input	--	833/20	mA
		24VDC input	--	164/4	
Reflected Ripple Current	Nominal input voltage	--	100	--	VDC
Surge Voltage (1sec. max.)	5VDC input	-0.7	--	16	
	24VDC input	-0.7	--	50	
Start-up Voltage	VRB05xxJ(M)D/T-3W series	--	--	4.5	
	URB24XXJ(M)D/T-3W series	--	--	9	
Shut-down Voltage	VRB05xxJ(M)D/T-3W series	2.5	--	--	
	URB24XXJ(M)D/T-3W series	5.5	--	--	
Input Filter	VRB05xxJ(M)D/T-3W series	LC filter			

	URB24XXJ(M)D/T-3W series	C filter			
Hot Plug		Unavailable			
Ctrl*	Module on	Ctrl pin open or pulled low (0-0.3VDC)			
	Module off	Ctrl pin pulled high (2-12VDC)			
	Input current when switched off	--	5	10	mA

Note: *The Ctrl pin voltage is referenced to input GND.

Output Specifications

Item	Operating Conditions	Min.	Typ.	Max.	Unit	
Voltage Accuracy	0% -100% load	--	±1	±2		
Linear Regulation	Input voltage variation from low to high at full load	--	±0.2	±0.5	%	
Load Regulation ^①	5% -100% load	--	--	±1		
Transient Recovery Time	25% load step change, nominal input voltage	--	300	500	µs	
Transient Response Deviation	25% load step change, nominal input voltage	3.3 VDC output	--	±5	±10	%
		5 VDC output	--	±5	±8	
		others output	--	±3	±5	
Temperature Coefficient	Full load	--	--	±0.03	%/°C	
Ripple & Noise ^②	20MHz bandwidth, 5% -100% load	--	50	100	mVp-p	
Trim		--	±5	--	%Vo	
Over-voltage Protection		110	--	160		
Over-current Protection	Input voltage range	110	160	250	%Io	
Short-circuit Protection		Hiccup, continuous, self-recovery				

Note:
 ①Load regulation for 0%-100% load is ±5%;
 ②Under 0% -5% load conditions, ripple & noise does not exceed 5%Vo. The "parallel cable" method is used for Ripple and Noise test, please refer to DC-DC Converter Application Notes for specific information.

General Specification

Item	Operating Conditions	Min.	Typ.	Max.	Unit
Isolation	Input-output	500	--	--	VAC
	Input-case	500	--	--	
	Output-case	500	--	--	
	Input-output	1500	--	--	VDC
	Input-case	1500	--	--	
	Output-case	1500	--	--	
Insulation Resistance	Input-output	100	--	--	MΩ
	Input-case	100	--	--	
	Output-case	100	--	--	
Isolation Capacitance	Input-output capacitance at 100kHz/0.1V	--	1000	--	pF
Operating Temperature	See Fig. 1	-40	--	+85	°C
Storage Temperature		-55	--	+125	
Storage Humidity	Non-condensing	5	--	95	%RH
Pin Soldering Resistance Temperature	Wave-soldering (soldering time:10 seconds)	--	--	260	°C
	Soldering spot is 1.5mm away from case for 10 seconds	--	--	300	
Reflow soldering Temperature	Only for U/VRB_J(M)T series products	Peak temp. ≤245°C, maximum duration time ≤60s over 217°C. For actual application, please refer to IPC/JEDEC J-STD-020D.1.			
Vibration		10-150Hz, 5G, 90Min. along X, Y and Z			
Shock		50G, 11ms once each along X, Y and Z axis			
Switching Frequency ^①	PWM mode	--	330	--	kHz

MTBF	MIL-HDBK-217F@25°C	1000	--	--	k hours
Moisture Sensitivity Level (MSL)	IPC/JEDEC J-STD-020D.1	Level 1			
Note: ① Switching frequency is measured at full load. The module reduces the switching frequency for light load (below 50%) efficiency improvement.					

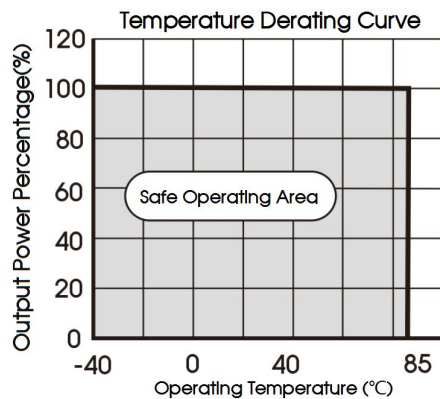
Mechanical Specifications

Case Material	Only for U/VRB_JMD/JMT-3W series products	Aluminum alloy
Dimensions	JD series	24.00 x 15.10 x 6.19mm
	JT series	26.20 x 15.10 x 6.19mm
	JMD series	25.00 x 16.40 x 6.80mm
	JMT series	26.20 x 16.40 x 6.80mm
Weight	JD/JT series	2.2g (Typ.)
	JMD/JMT series	3.5g (Typ.)
Cooling method	Free air convection (20LFM)	

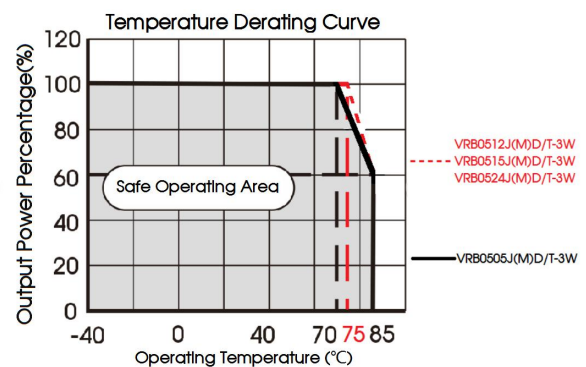
Electromagnetic compatibility (EMC)

Emissions	CE	CISPR32/EN55032	CLASS B (see Fig.3-② for recommended circuit)	
	RE	CISPR32/EN55032	CLASS B (see Fig.3-② for recommended circuit)	
Immunity	ESD	IEC/EN61000-4-2	Contact ±6kV	perf. Criteria B
	RS	IEC/EN61000-4-3	10V/m	perf. Criteria A
	EFT	IEC/EN61000-4-4	±2kV (see Fig.3-① for recommended circuit)	perf. Criteria B
	Surge	IEC/EN61000-4-5	line to line ±2kV (see Fig.3-① for recommended circuit)	perf. Criteria B
	CS	IEC/EN61000-4-6	3 Vr.m.s	perf. Criteria A
Note: For U/VRBxxxJMD/T-3W series, the case should be connected to input pin GND when testing EMC performance.				

Typical Characteristic Curves

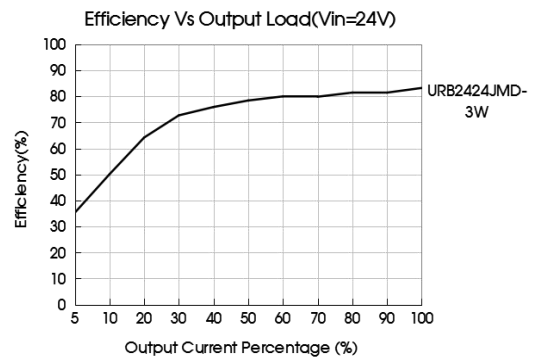
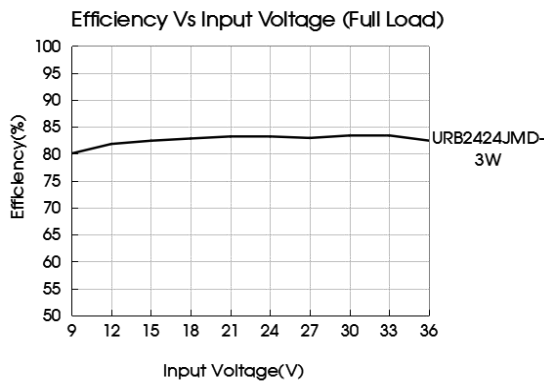
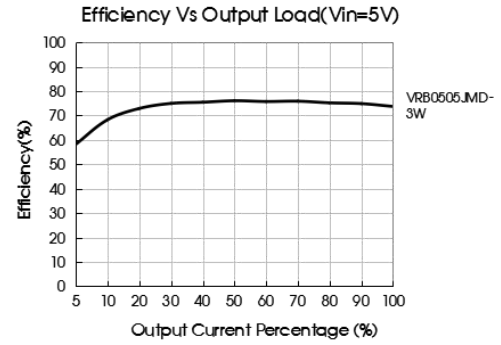
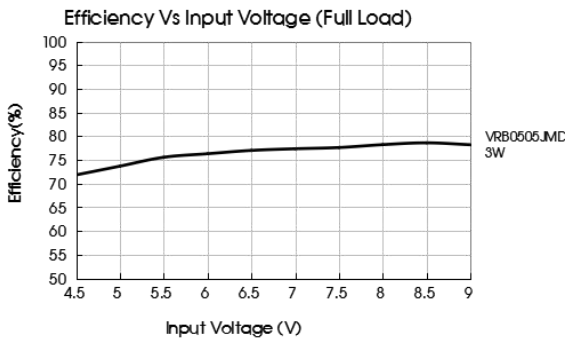


URB24xxJ(M)T/D-3W



VRB05xxJ(M)T/D-3W

Fig. 1



Design Reference

1. Typical application

All the DC-DC converters of this series are tested before delivery using the recommended circuit shown in Fig. 2.

Input and/or output ripple can be further reduced by appropriately increasing the input & output capacitor values C_{in} and C_{out} and/or by selecting capacitors with a low ESR (equivalent series resistance). Also make sure that the capacitance is not exceeding the max. capacitive load value of the product.



Fig. 2

Vin (VDC)	Vout (VDC)	Cin	Cout
5	5	10 μ F/16VDC	100 μ F/16VDC
	12/15		100 μ F/25VDC
	24		100 μ F/50VDC
24	3.3/5	10 μ F/50VDC	100 μ F/16VDC
	12/15		100 μ F/25VDC
	24		100 μ F/50VDC

2. EMC compliance circuit

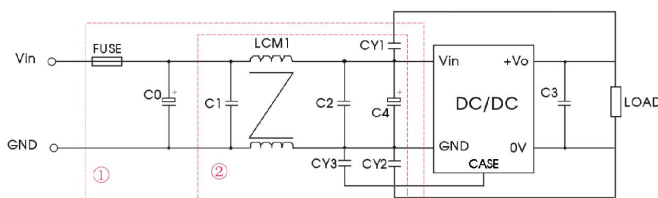


Fig. 3

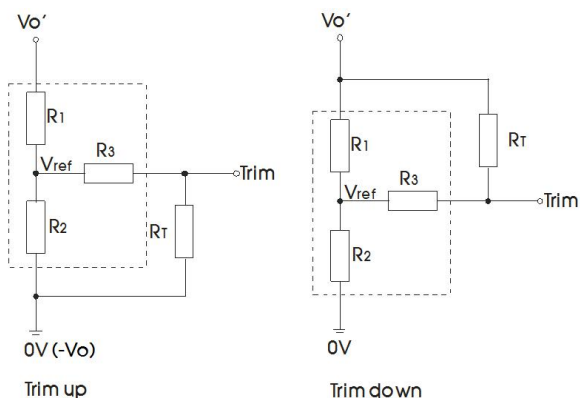
Notes:

- For EMC tests we use Part ① in Fig. 3 for immunity and part ② for emissions test. Selecting based on needs.
- CASE pin only refer to U/VRBxxxxJMD/T-3W.

lists of components:

Model	Vin: 5VDC	Vin: 24VDC
FUSE	Choose according to actual input current	
C0	2200 μ F/35V	1000 μ F/50V
C1	4.7 μ F/50V	
C2	4.7 μ F/50V	
C4	100 μ F/50V	220 μ F/50V
C3	Refer to the Cout in Fig.2	
LCM1	2.2mH, recommended to use MORNSUN P/N: FL2D-30-222	
CY1/CY2/CY3	2.2nF/2kV	

3. Trim Function for Output Voltage Adjustment (open if unused)



Calculating Trim resistor values:

$$\begin{aligned} \text{up: } R_T &= \frac{\alpha R_2}{R_2 - \alpha} - R_3 & \alpha &= \frac{V_{ref}}{V_o' - V_{ref}} \cdot R_1 \\ \text{down: } R_T &= \frac{\alpha R_1}{R_1 - \alpha} - R_3 & \alpha &= \frac{V_o' - V_{ref}}{V_{ref}} \cdot R_2 \end{aligned}$$

R_T = Trim Resistor value;
 α = self-defined parameter;
 V_o' = desired output voltage;

U/VRBxxxJMD-3W Trim up need to connect to "0V".

TRIM resistor connection (dashed line shows internal resistor network)

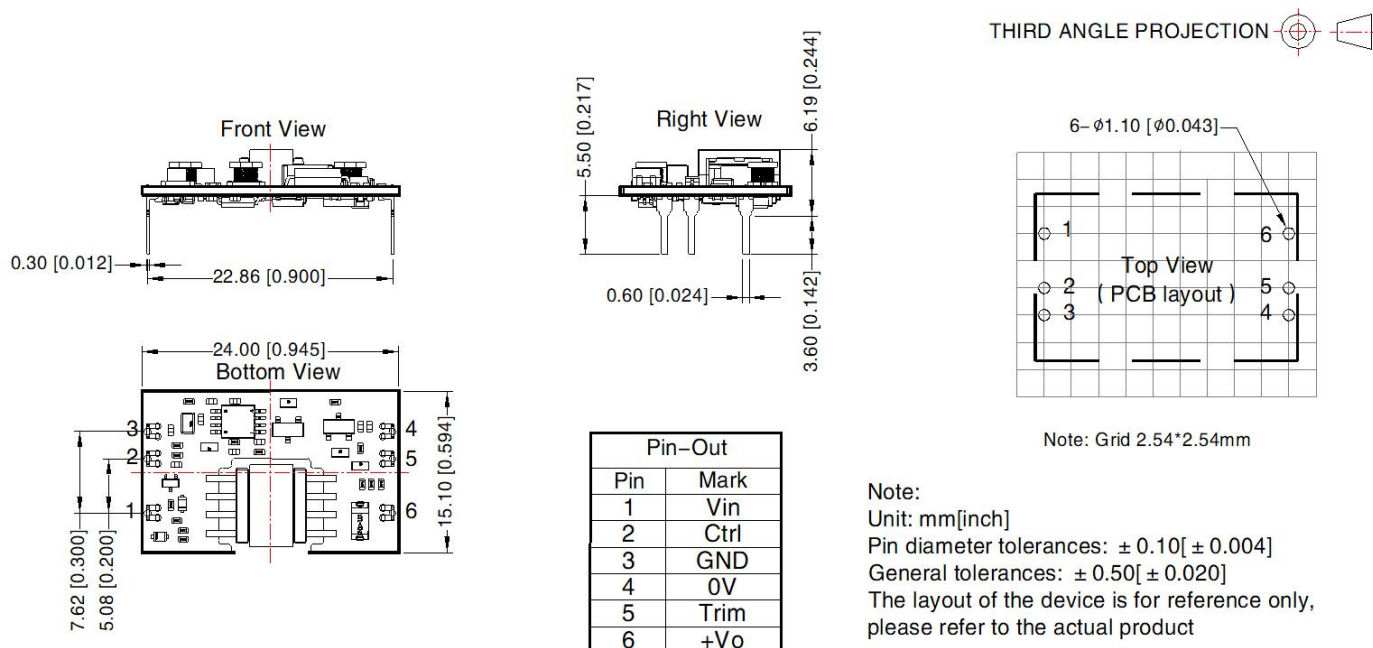
Vout(VDC)	R1(kΩ)	R2(kΩ)	R3(kΩ)	Vref(V)
3.3	4.80	2.87	10	1.25
5	2.87	2.87	10	2.5
12	10.91	2.87	15	2.5
15	14.35	2.87	15	2.5
24	24.77	2.87	17.4	2.5

4. It is not allowed to connect modules output in parallel to enlarge the power

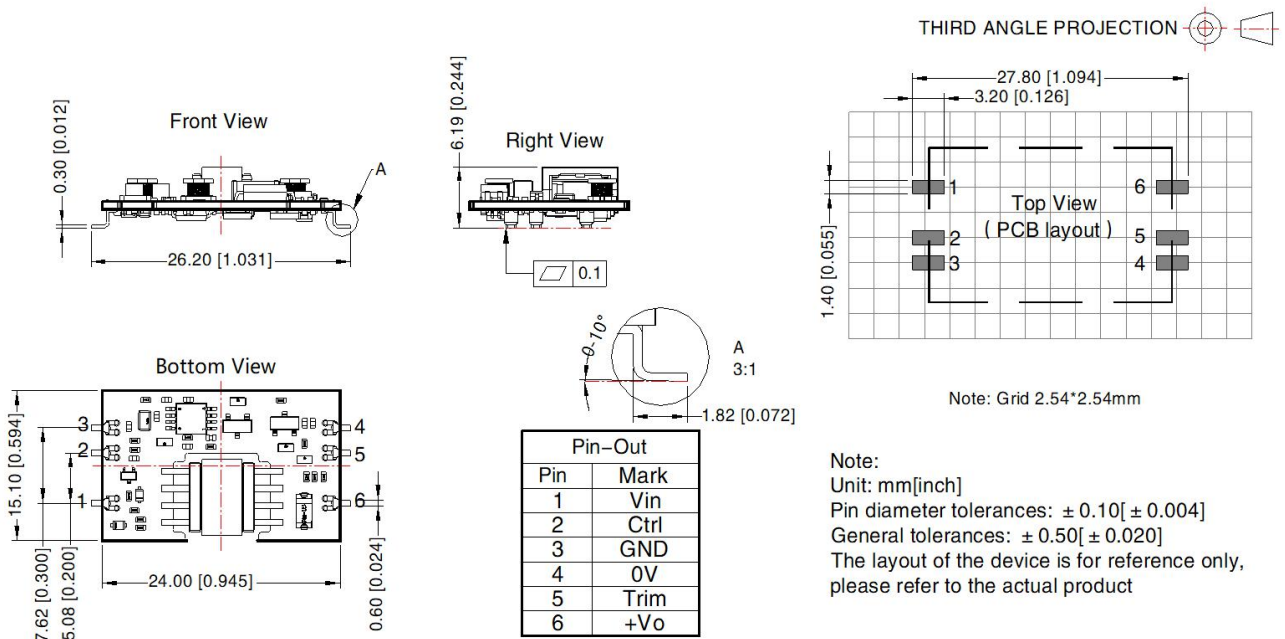
5. For additional information please refer to DC-DC converter application notes on

www.mornsun-power.com

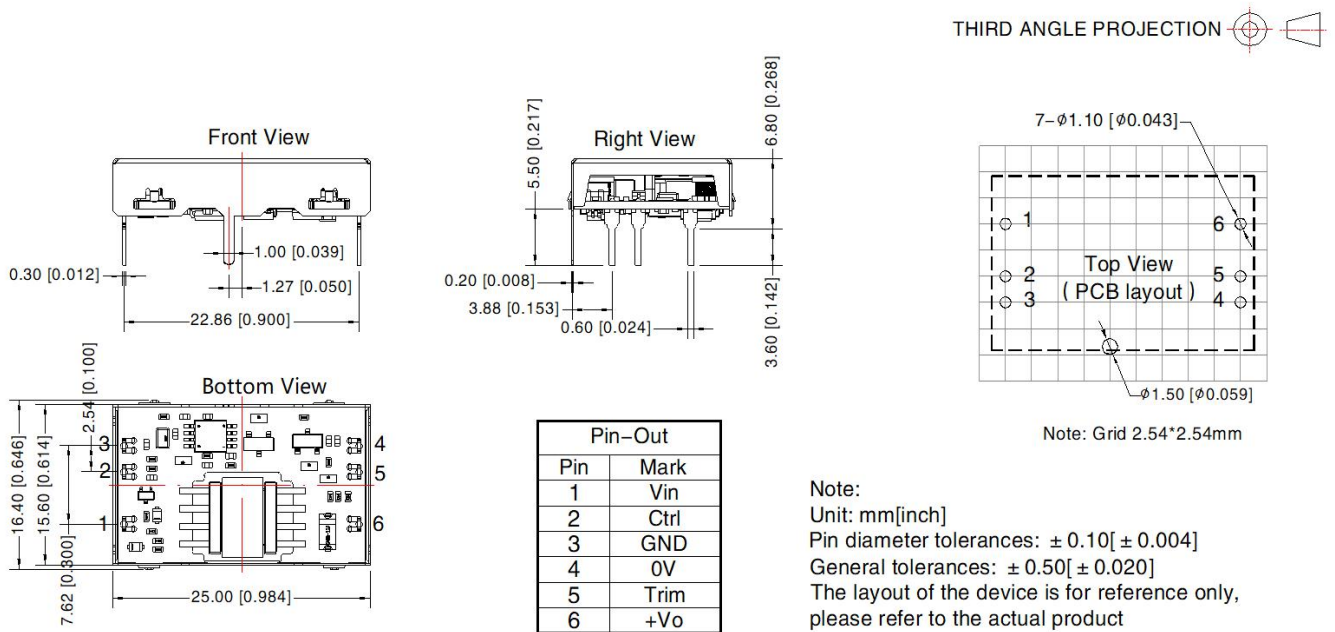
U/VRB_JD-3W Dimensions and Recommended Layout



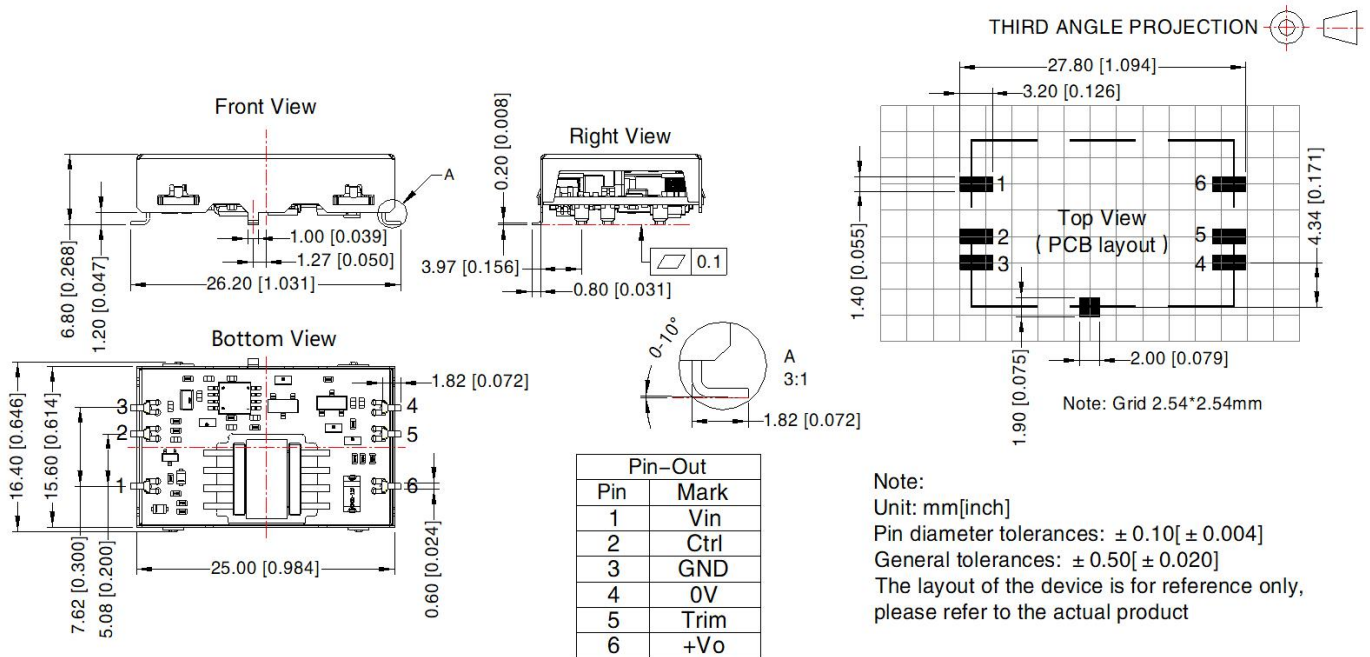
U/VRB_JT-3W Dimensions and Recommended Layout



U/VRB_JMD-3W Dimensions and Recommended Layout



U/VRB_JMT-3W Dimensions and Recommended Layout



Note:

1. For additional information on Product Packaging please refer to www.mornsun-power.com. Packaging bag number: 58210106;
2. The maximum capacitive load offered were tested at input voltage range and full load;
3. Unless otherwise specified, parameters in this datasheet were measured under the conditions of $T_a=25^\circ\text{C}$, humidity<75%RH with nominal input voltage and rated output load;
4. All index testing methods in this datasheet are based on company corporate standards;
5. We can provide product customization service, please contact our technicians directly for specific information;
6. Products are related to laws and regulations: see "Features" and "EMC";
7. Our products shall be classified according to ISO14001 and related environmental laws and regulations, and shall be handled by qualified units.

Mornsun Guangzhou Science & Technology Co., Ltd.

Address: No. 5, Kehui St. 1, Kehui Development Center, Science Ave., Guangzhou Science City, Huangpu District, Guangzhou, P. R. China

Tel: 86-20-38601850

Fax: 86-20-38601272

E-mail: info@mornsun.cn

www.mornsun-power.com